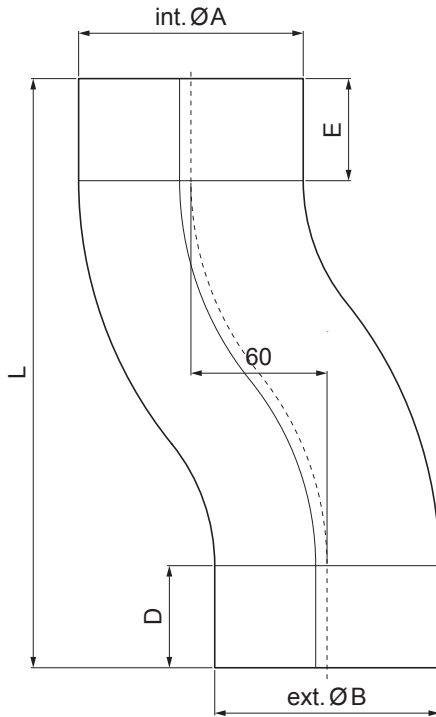


TECHNICAL SHEET

DOUBLE ELBOW

W-WKO



PM Aluminium pre-painted – Patina copper – RAL extra

INDEX	CHANGE	DATE	SIGNATURE	KJG QUALITY®	Scan code for 3D model
MATERIAL BRAND			W.C.	WEIGHT kg	SCALE
SIZE, SEMI-FINISHED PRODUCTS				STN STANDARD	SORTING NUMBER
AUXILIARY EQUIPMENT				NOTE	POSITION NUMBER
ELABORATED BY Ing. Kluska M.					
TESTED BY					
TECHNOLOGIST		TECHNOLOGIST		OLD DRAWING	DRAWING NUMBER
NAME			Double elbow		
			Number of sheets	W-WKO	Sheet

Created: 07.06.2026 09:06:19

Technical changes reserved

Dimensions [mm]					
Nominal size	$\varnothing A$	$\varnothing B$	D	E	L
100	100,4	99,0	35	35	240