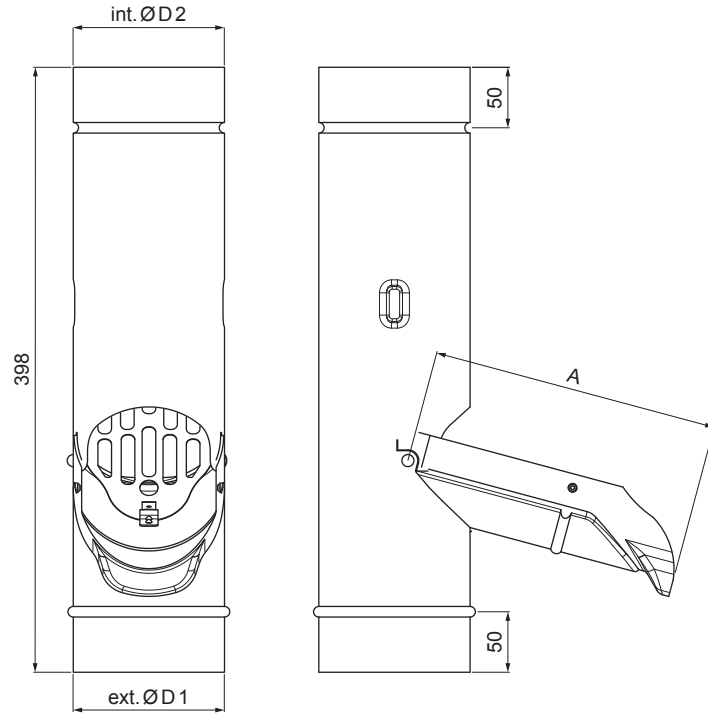


TECHNICAL SHEET

DOWNPIPE FLAP WITH SIEVE

W-WZVS



BH Aluminium pre-painted – White aluminum – RAL 9006

Dimensions [mm]			
Nominal size	A	ØD 1	ØD 2
80	150	80	80
100	190	100	100
120	230	120	120

INDEX	CHANGE	DATE	SIGNATURE	KJG QUALITY®	Scan code for 3D model
MATERIAL BRAND			W.C.	WEIGHT kg	SCALE
SIZE, SEMI-FINISHED PRODUCTS					
AUXILIARY EQUIPMENT			STN STANDARD		SORTING NUMBER
ELABORATED BY Ing. Kluska M.			NOTE		POSITION NUMBER
TESTED BY					
TECHNOLOGIST		TECHNOLOGIST	OLD DRAWING		DRAWING NUMBER
NAME Downpipe flap with sieve			Number of sheets		W-WZVS Sheet

Created: 05.06.2026 04:39:32

Technical changes reserved