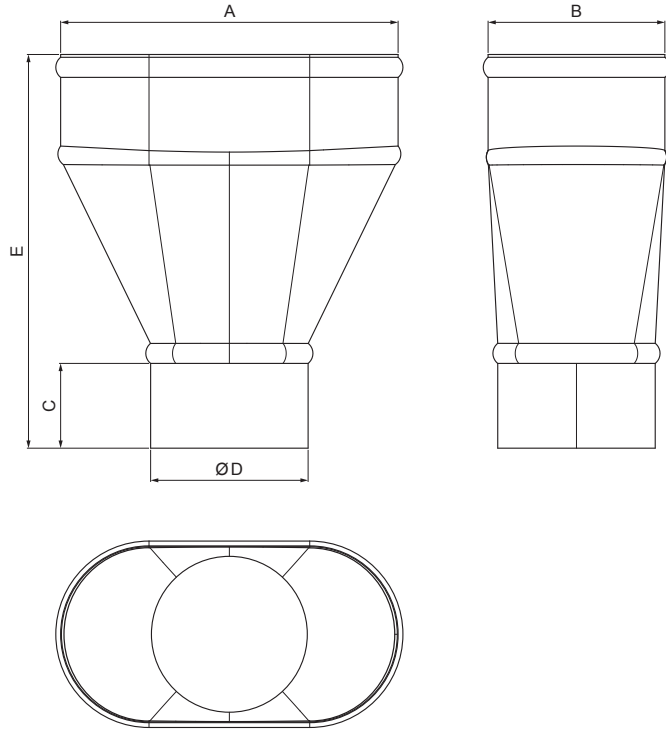


TECHNICAL SHEET

# CENTRAL HOPPER

# IT-KLZF C



**P** Galvanized steel – Natur

Dimensions [mm]					
Nominal size	A	B	C	ØD	E
60	130	66	55	60	210
80	170	90	55	80	245
100	210	110	55	100	245
120	250	130	55	120	270

INDEX	CHANGE	DATE	SIGNATURE	<b>KJG</b> QUALITY®	Scan code for 3D model
MATERIAL BRAND			W.C.	WEIGHT kg	SCALE
SIZE, SEMI-FINISHED PRODUCTS			STN STANDARD		SORTING NUMBER
AUXILIARY EQUIPMENT			NOTE		POSITION NUMBER
ELABORATED BY Ing. Kluska M.			OLD DRAWING		DRAWING NUMBER
TESTED BY			NAME		
TECHNOLOGIST			Central hopper		
NUMBER OF SHEETS			IT-KLZF C		Sheet

Created: 07.06.2026 12:52:29

Technical changes reserved