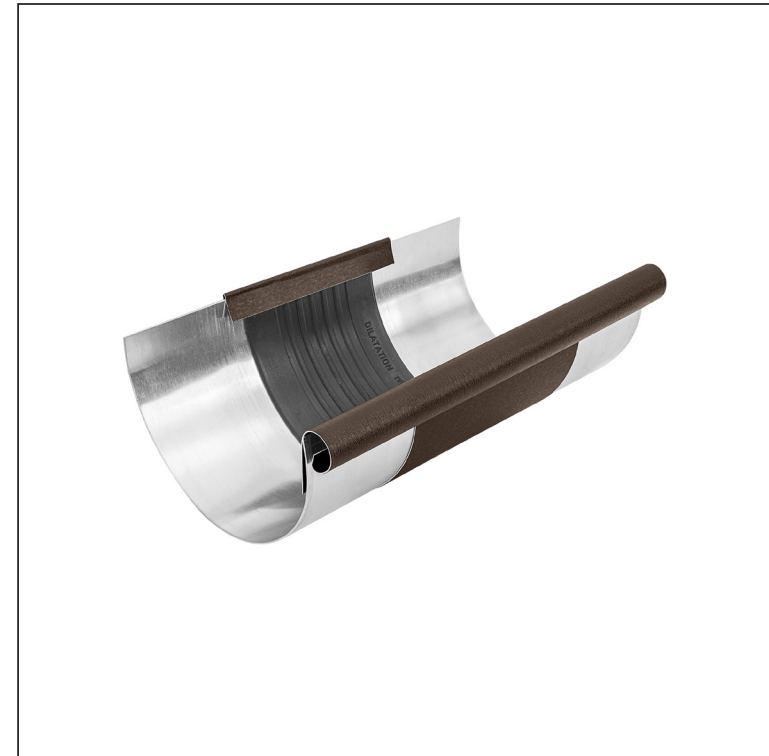
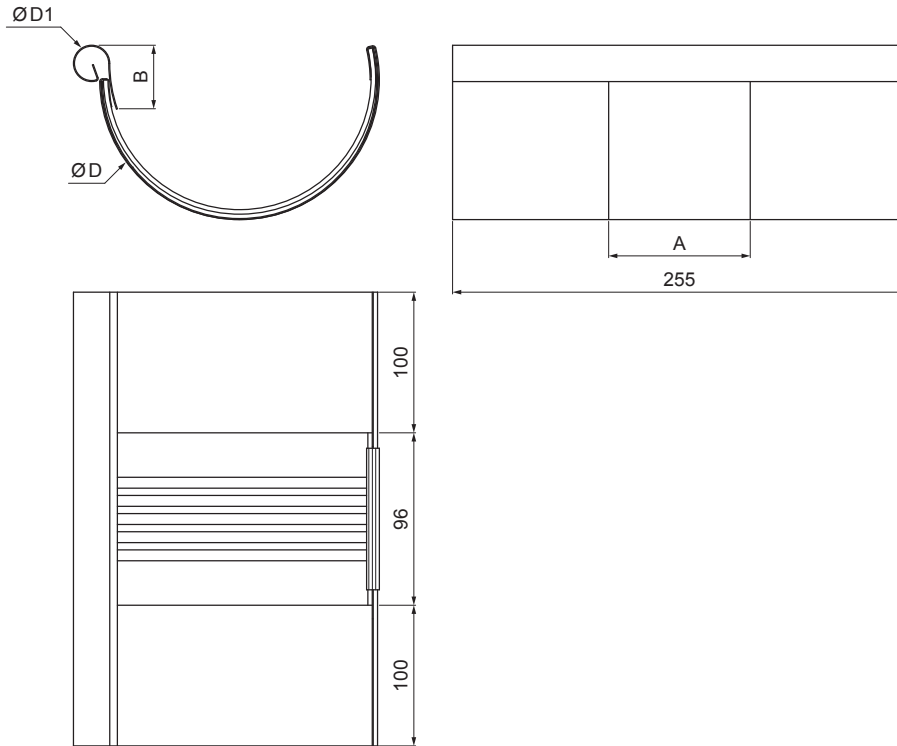


TECHNICAL SHEET

GUTTER EXPANDERS

W.15-WZDI



TMM Aluminium pre-painted W.15 – Testa di Moro W.15 – RAL 8028

Dimensions [mm]					
Nominal size	Ø D 1	Ø D	A	B	d. w.
250/260	19	105	83	37	191
285/260	21	127	77	43	214
333/260	21	153	75	40	262
400/260	23	190	84	34	316

INDEX	CHANGE	DATE	SIGNATURE	KJG QUALITY®	Scan code for 3D model
MATERIAL BRAND			W.C.	WEIGHT kg	SCALE
SIZE, SEMI-FINISHED PRODUCTS					
AUXILIARY EQUIPMENT			STN STANDARD		SORTING NUMBER
ELABORATED BY Ing. Kluska M.			NOTE		POSITION NUMBER
TESTED BY					
TECHNOLOGIST		TECHNOLOGIST	OLD DRAWING		DRAWING NUMBER
NAME Gutter expanders			Number of sheets		W.15-WZDI Sheet

Created: 20.04.2026 23:58:59

Technical changes reserved