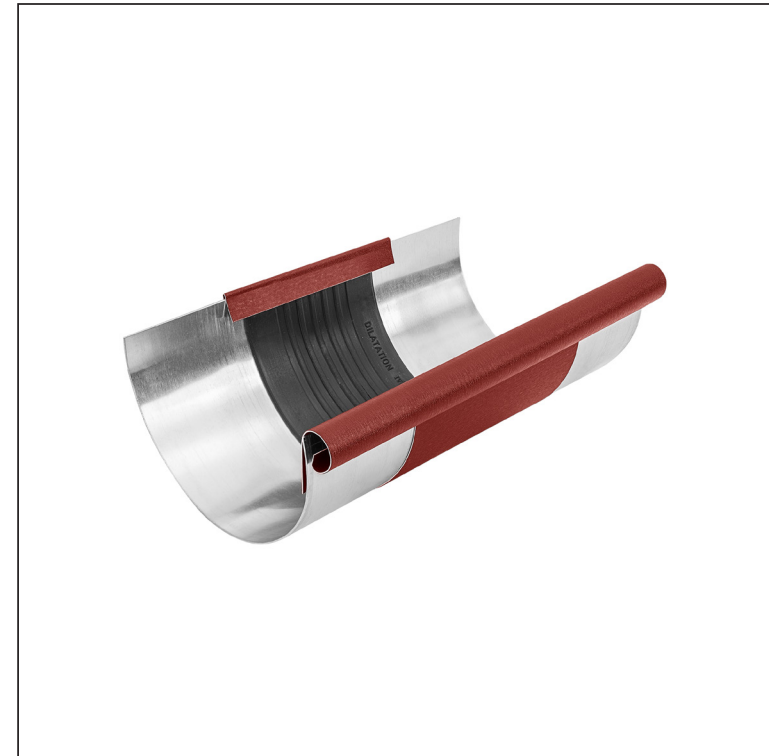
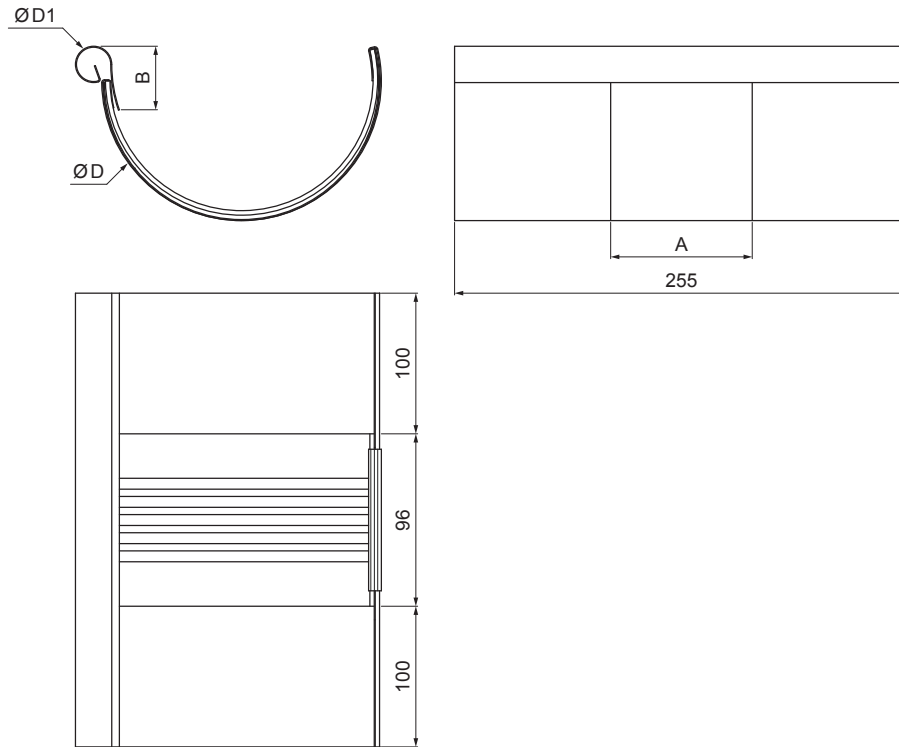


TECHNICAL SHEET

GUTTER EXPANDERS

W.15-WZDI



OCM Aluminium pre-painted W.15 – Steel red W.15 – RAL 3009

Dimensions [mm]					
Nominal size	Ø D 1	Ø D	A	B	d. w.
250/260	19	105	83	37	191
285/260	21	127	77	43	214
333/260	21	153	75	40	262
400/260	23	190	84	34	316

INDEX	CHANGE	DATE	SIGNATURE	KJG QUALITY®	Scan code for 3D model
MATERIAL BRAND			W.C.	WEIGHT kg	SCALE
SIZE, SEMI-FINISHED PRODUCTS				STN STANDARD	SORTING NUMBER
AUXILIARY EQUIPMENT				NOTE	POSITION NUMBER
ELABORATED BY Ing. Kluska M.					
TESTED BY					
TECHNOLOGIST		TECHNOLOGIST		OLD DRAWING	DRAWING NUMBER
NAME Gutter expanders				Number of sheets	W.15-WZDI Sheet

Created: 21.04.2026 06:14:39

Technical changes reserved