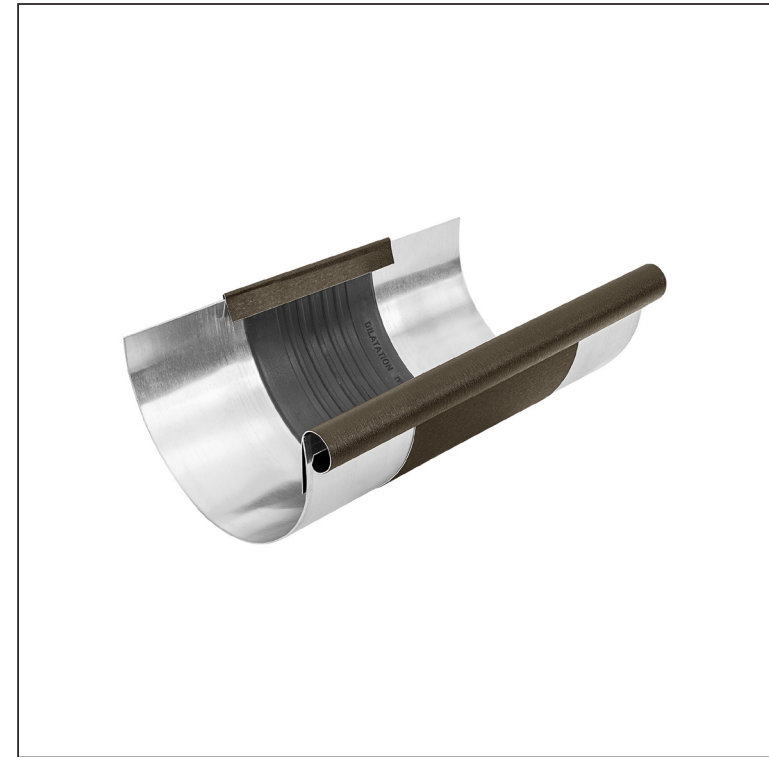
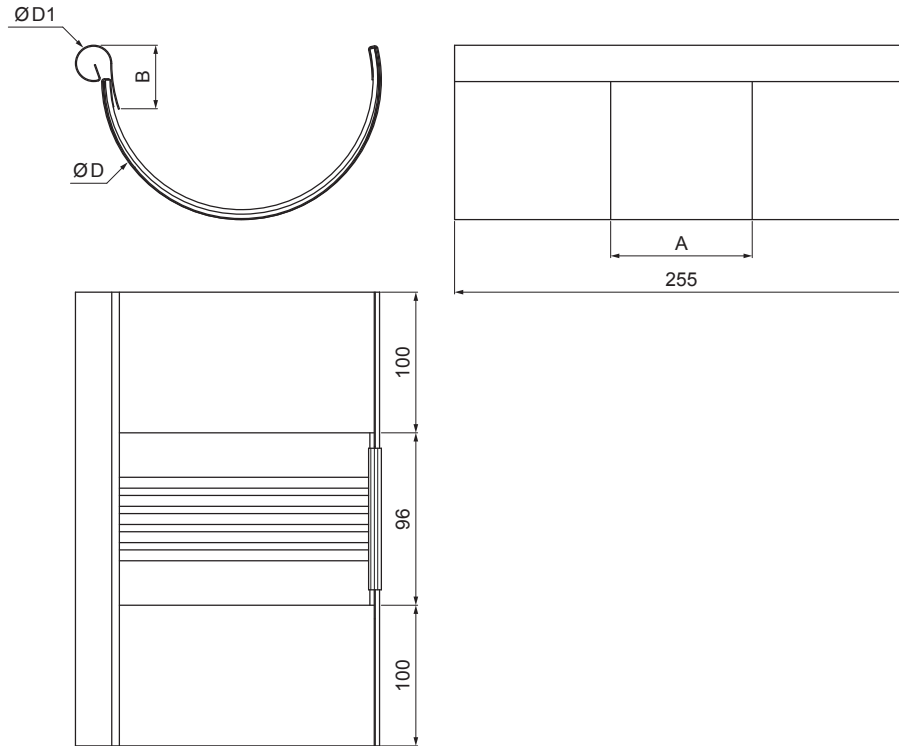


TECHNICAL SHEET

GUTTER EXPANDERS

W.15-WZDI



ZHM Aluminium pre-painted W.15 – Brown grey W.15 – RAL 7013

Dimensions [mm]					
Nominal size	Ø D 1	Ø D	A	B	d. w.
250/260	19	105	83	37	191
285/260	21	127	77	43	214
333/260	21	153	75	40	262
400/260	23	190	84	34	316

INDEX	CHANGE	DATE	SIGNATURE	KJG QUALITY®	Scan code for 3D model
MATERIAL BRAND			W.C.	WEIGHT kg	SCALE
SIZE, SEMI-FINISHED PRODUCTS			STN STANDARD		SORTING NUMBER
AUXILIARY EQUIPMENT			NOTE		POSITION NUMBER
ELABORATED BY Ing. Kluska M.			OLD DRAWING		DRAWING NUMBER
TESTED BY			NAME		
TECHNOLOGIST			Gutter expanders		Number of sheets
					W.15-WZDI Sheet

Created: 05.06.2026 21:58:56

Technical changes reserved