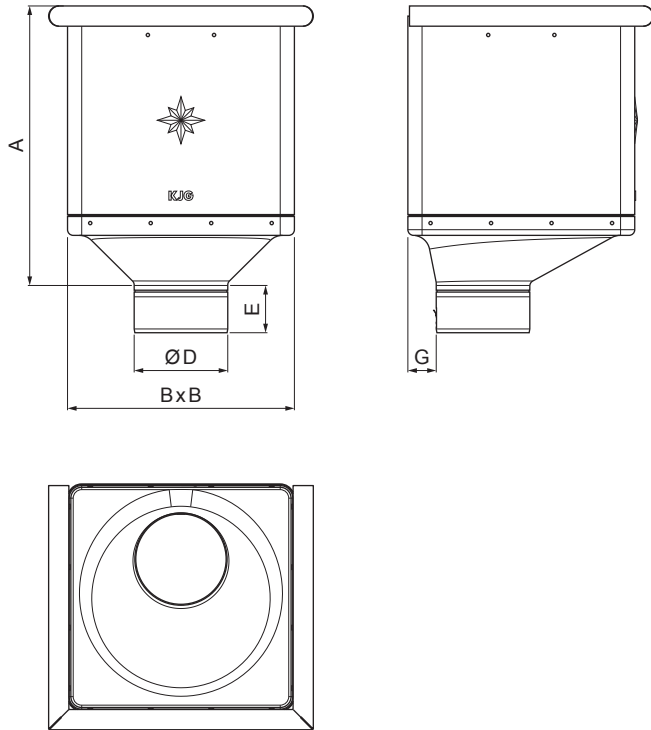


TECHNICAL SHEET

# HOPPER CUBIC ECCENTRIC

# P-PKLZ KX



**USS** Galvanized steel – U. S. Steel

| Dimensions [mm] |     |     |     |    |    |
|-----------------|-----|-----|-----|----|----|
| Nominal size    | A   | B   | D   | E  | G  |
| 80              | 283 | 240 | 79  | 44 | 30 |
| 100             | 283 | 240 | 99  | 50 | 30 |
| 120             | 283 | 240 | 119 | 60 | 30 |

|                                |        |              |           |                        |                        |
|--------------------------------|--------|--------------|-----------|------------------------|------------------------|
| INDEX                          | CHANGE | DATE         | SIGNATURE | <b>KJG</b><br>QUALITY® | Scan code for 3D model |
|                                |        |              |           |                        |                        |
| MATERIAL BRAND                 |        |              | W.C.      | WEIGHT kg              | SCALE                  |
| SIZE, SEMI-FINISHED PRODUCTS   |        |              |           | STN STANDARD           | SORTING NUMBER         |
| AUXILIARY EQUIPMENT            |        |              |           | NOTE                   | POSITION NUMBER        |
| ELABORATED BY Ing. Kluska M.   |        |              |           |                        |                        |
| TESTED BY                      |        |              |           |                        |                        |
| TECHNOLOGIST                   |        | TECHNOLOGIST |           | OLD DRAWING            | DRAWING NUMBER         |
| NAME<br>Hopper CUBIC ECCENTRIC |        |              |           | Number of sheets       | P-PKLZ KX Sheet        |

Created: 05.06.2026 04:38:34

Technical changes reserved