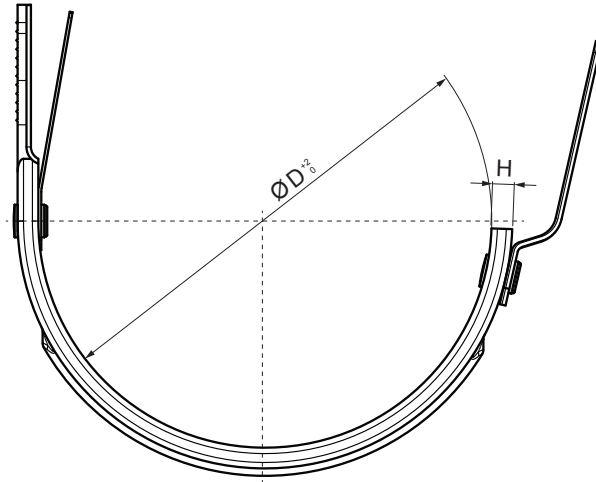
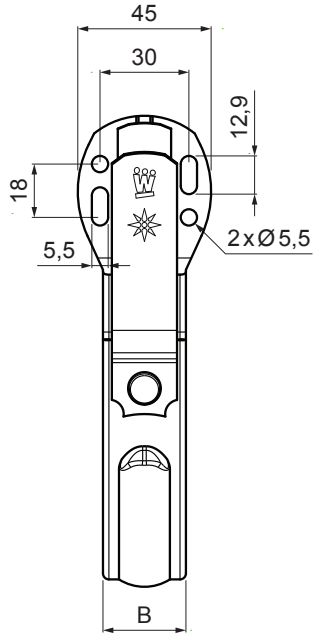


# TECHNICAL SHEET

## HOOK FASCIA

# W.15-WHPK



**ZHM** Aluminium pre-painted W.15 – Brown grey W.15 – RAL 7013

Dimensions [mm]		
Nominal size	B x H	Ø D
250	28 x 7	105
280	28 x 7	127
333	28 x 7	153
400	28 x 7	192

INDEX	CHANGE	DATE	SIGNATURE	<b>KJG</b> QUALITY®	Scan code for 3D model
MATERIAL BRAND			W.C.	WEIGHT kg	SCALE
SIZE, SEMI-FINISHED PRODUCTS				STN STANDARD	SORTING NUMBER
AUXILIARY EQUIPMENT				NOTE	POSITION NUMBER
ELABORATED BY Ing. Kluska M.					
TESTED BY				OLD DRAWING	DRAWING NUMBER
TECHNOLOGIST			TECHNOLOGIST		
NAME			Hook fascia		
			Number of sheets	W.15-WHPK Sheet	

Created: 06.06.2026 00:09:47

Technical changes reserved