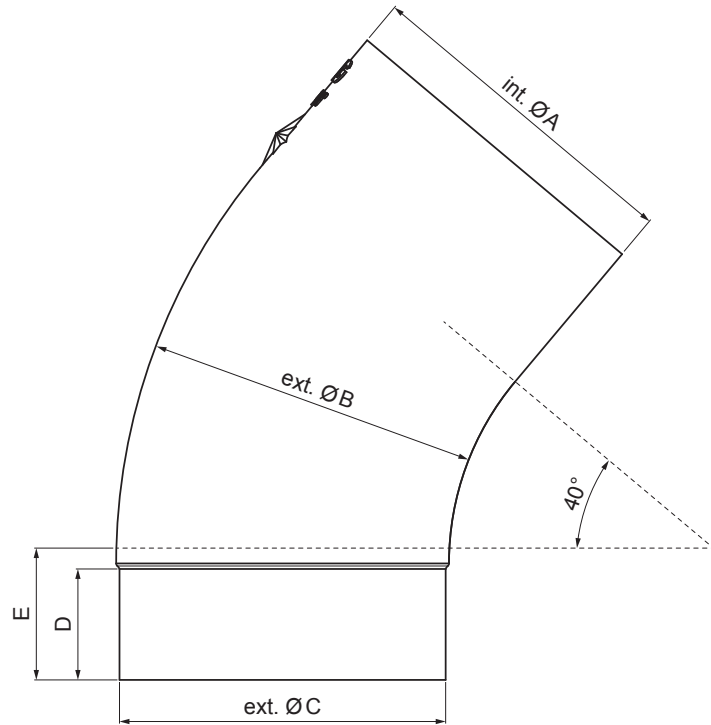




TECHNICAL SHEET

ELBOW BLIND 40°

P-PKTZS



P Galvanized steel – Natur

INDEX	CHANGE	DATE	SIGNATURE		
MATERIAL BRAND			W.C.	WEIGHT kg	SCALE
SIZE, SEMI-FINISHED PRODUCTS				STN STANDARD	SORTING NUMBER
AUXILIARY EQUIPMENT				NOTE	POSITION NUMBER
ELABORATED BY Ing. Kluska M.				OLD DRAWING	DRAWING NUMBER
TESTED BY					
TECHNOLOGIST			TECHNOLOGIST		
NAME			Elbow blind 40°		
			Number of sheets	P-PKTZS Sheet	

Created: 04.06.2026 12:15:40

Technical changes reserved

Dimensions [mm]					
Nominal size	Ø A	Ø B	Ø C	D	E
80	80,4	79	76,9	28	40
100	100,4	99,0	96,8	35	50
120	120,3	119,0	116,7	42	60