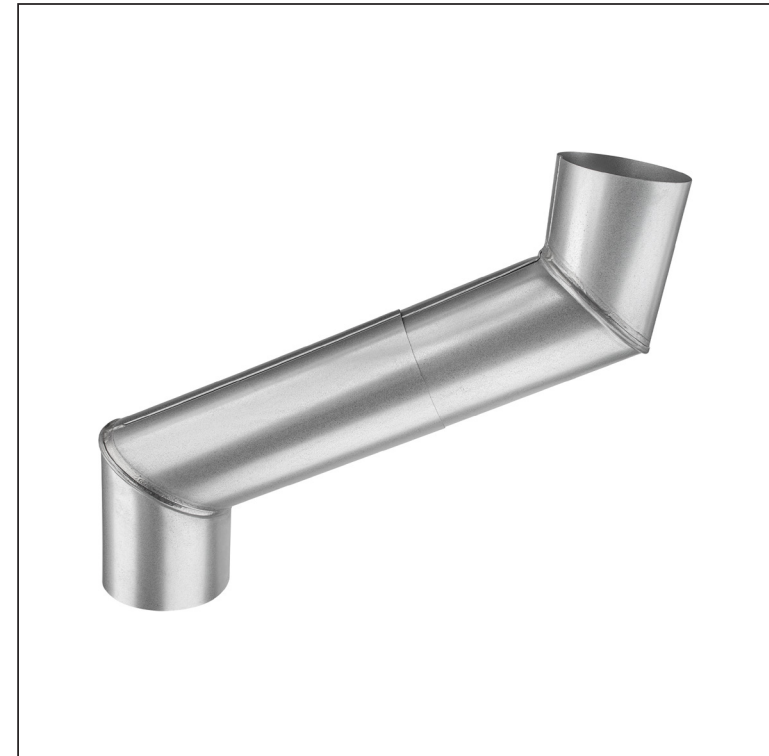
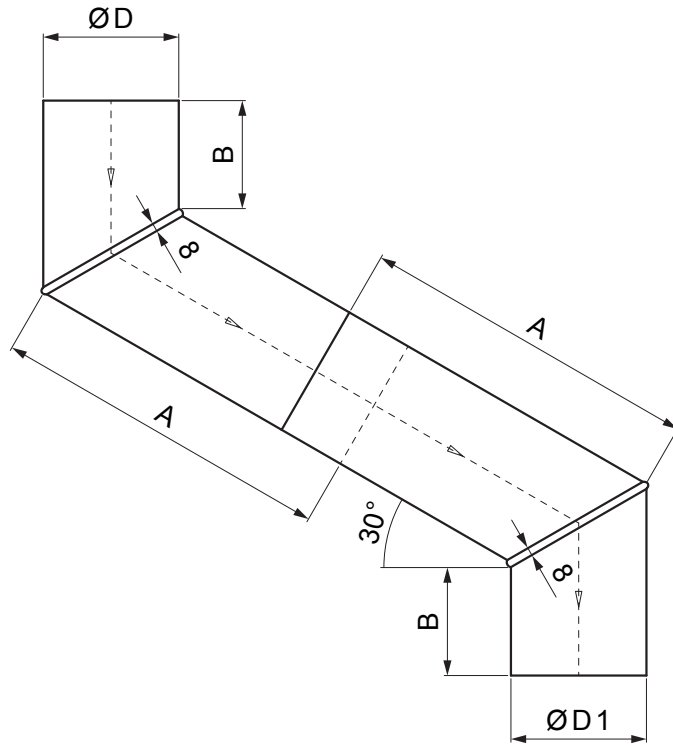


TECHNICAL SHEET

# UPPER S-ELBOW SOLDERED 72°

# P-PKCS



**USS** Galvanized steel – U. S. Steel

Dimensions [mm]				
Nominal size	A	B	ØD	ØD1
80	250	80	81,5	78,5
100	250	80	101,5	98,5
120	300	100	121,5	118,5

INDEX	CHANGE	DATE	SIGNATURE	<b>KJG</b> QUALITY®	Scan code for 3D model
MATERIAL BRAND			W.C.	WEIGHT kg	SCALE
SIZE, SEMI-FINISHED PRODUCTS				STN STANDARD	SORTING NUMBER
AUXILIARY EQUIPMENT				NOTE	POSITION NUMBER
ELABORATED BY Ing. Kluska M.					
TESTED BY					
TECHNOLOGIST		TECHNOLOGIST		OLD DRAWING	DRAWING NUMBER
NAME Upper s-elbow soldered 72°				Number of sheets	P-PKCS Sheet

Created: 04.06.2026 12:15:46

Technical changes reserved