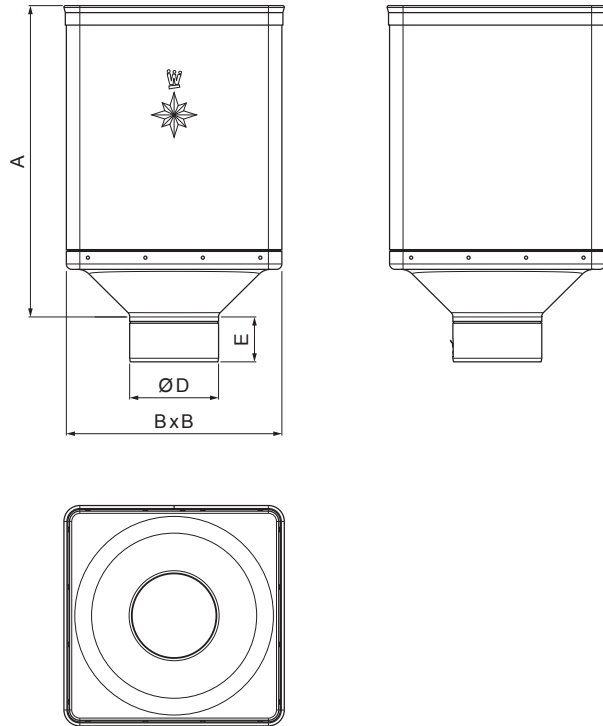




TECHNICAL SHEET HOPPER DESIGN

W.15-WKLZ DE



ICM Aluminium pre-painted W.15 – Intense black W.15 – RAL 9005

INDEX CHANGE		DATE	SIGNATURE	KJG QUALITY®	Scan code for 3D model 
MATERIAL BRAND			W.C.	WEIGHT kg	SCALE
SIZE, SEMI-FINISHED PRODUCTS				STN STANDARD	SORTING NUMBER
AUXILIARY EQUIPMENT				NOTE	POSITION NUMBER
ELABORATED BY Ing. Kluska M.					
TESTED BY					
TECHNOLOGIST		TECHNOLOGIST		OLD DRAWING	DRAWING NUMBER
NAME Hopper DESIGN			Number of sheets		W.15-WKLZ DE Sheet 

Created: 22.04.2026 13:56:56

Technical changes reserved

Dimensions [mm]				
Nominal size	A	B	D	E
80	340	240	79	44
100	336	240	99	50
120	333	240	119	60