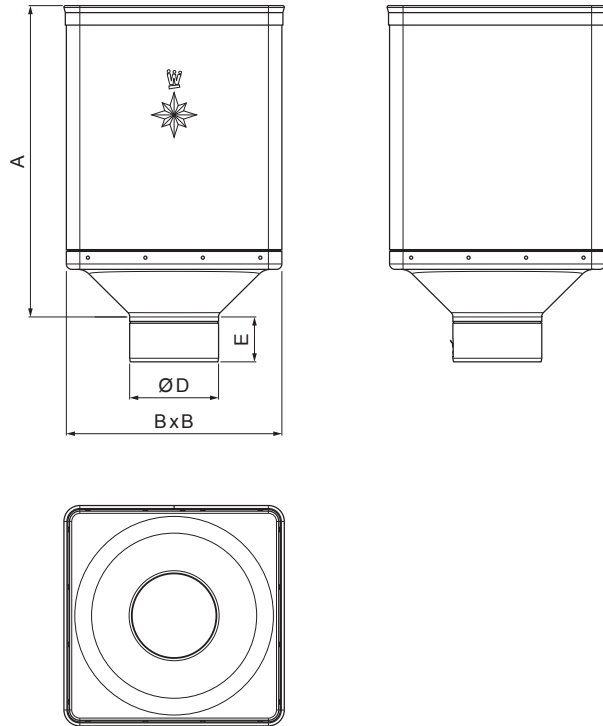





TECHNICAL SHEET

HOPPER DESIGN

W.15-WKLZ DE



ZHM Aluminium pre-painted W.15 – Brown grey W.15 – RAL 7013

INDEX CHANGE			DATE	SIGNATURE		
MATERIAL BRAND				W.C.	WEIGHT kg	SCALE
SIZE, SEMI-FINISHED PRODUCTS				STN STANDARD		SORTING NUMBER
AUXILIARY EQUIPMENT				NOTE		POSITION NUMBER
ELABORATED BY Ing. Kluska M.				OLD DRAWING		DRAWING NUMBER
TESTED BY				NAME		
TECHNOLOGIST				Hopper DESIGN		
				Number of sheets		W.15-WKLZ DE Sheet 

Created: 06.06.2026 00:11:02

Technical changes reserved

Dimensions [mm]				
Nominal size	A	B	D	E
80	340	240	79	44
100	336	240	99	50
120	333	240	119	60