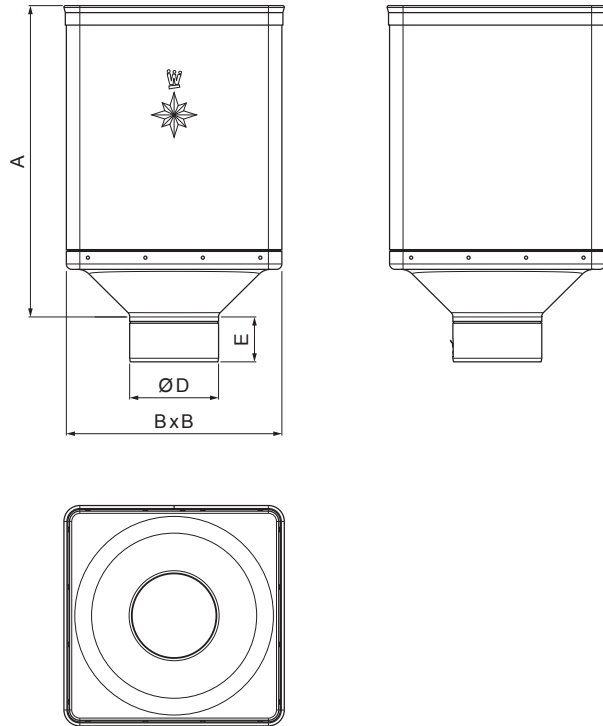





TECHNICAL SHEET HOPPER DESIGN

W.15-WKLZ DE



BM Aluminium preprinted W.15 – Pure white W.15 – RAL 9010

INDEX CHANGE			DATE	SIGNATURE		
MATERIAL BRAND				W.C.	WEIGHT kg	SCALE
SIZE, SEMI-FINISHED PRODUCTS				STN STANDARD		SORTING NUMBER
AUXILIARY EQUIPMENT				NOTE		POSITION NUMBER
ELABORATED BY Ing. Kluska M.				OLD DRAWING		DRAWING NUMBER
TESTED BY				DRAWING NUMBER		
TECHNOLOGIST				DRAWING NUMBER		
NAME Hopper DESIGN				Number of sheets		W.15-WKLZ DE Sheet 

Created: 07.06.2026 09:55:11

Technical changes reserved

Dimensions [mm]				
Nominal size	A	B	D	E
80	340	240	79	44
100	336	240	99	50
120	333	240	119	60