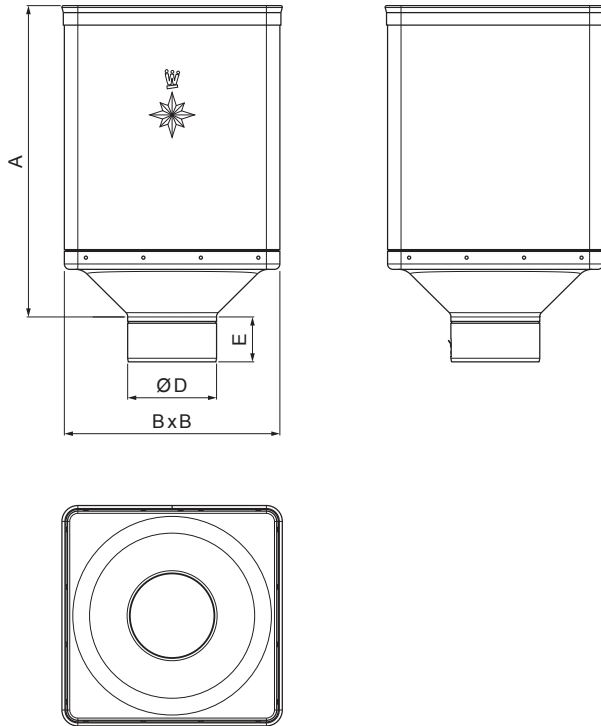


TECHNICAL SHEET

HOPPER DESIGN

W.15-WKLZ DE



ZSM Aluminium pre-painted W.15 – Zinc grey W.15 – RAL extra

INDEX	CHANGE	DATE	SIGNATURE	KJG QUALITY®	Scan code for 3D model
MATERIAL BRAND			W.C.	WEIGHT kg	SCALE
SIZE, SEMI-FINISHED PRODUCTS			STN STANDARD		SORTING NUMBER
AUXILIARY EQUIPMENT			NOTE		POSITION NUMBER
ELABORATED BY Ing. Kluska M.			OLD DRAWING		DRAWING NUMBER
TESTED BY					
TECHNOLOGIST			TECHNOLOGIST		
NAME			Hopper DESIGN		Number of sheets
					W.15-WKLZ DE Sheet

Created: 04.06.2026 13:05:50

Technical changes reserved

Dimensions [mm]				
Nominal size	A	B	D	E
80	340	240	79	44
100	336	240	99	50
120	333	240	119	60