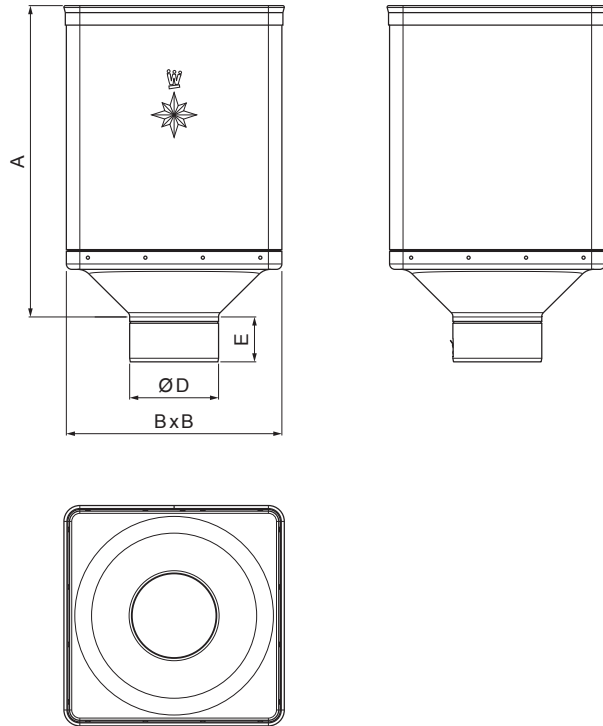



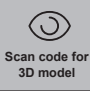


TECHNICAL SHEET

HOPPER DESIGN

W.15-WKLZ DE



BHTM Aluminium pre-painted W.15 – Grey aluminum W.15 – RAL 9007

INDEX	CHANGE	DATE	SIGNATURE			
MATERIAL BRAND			W.C.	WEIGHT kg	SCALE	
SIZE, SEMI-FINISHED PRODUCTS			STN STANDARD		SORTING NUMBER	
AUXILIARY EQUIPMENT			NOTE		POSITION NUMBER	
ELABORATED BY Ing. Kluska M.			OLD DRAWING		DRAWING NUMBER	
TESTED BY			DRAWING NUMBER			
TECHNOLOGIST			DRAWING NUMBER			
NAME			Hopper DESIGN		Number of sheets	
					W.15-WKLZ DE Sheet 	

Created: 05.06.2026 10:52:37

Technical changes reserved

Dimensions [mm]				
Nominal size	A	B	D	E
80	340	240	79	44
100	336	240	99	50
120	333	240	119	60