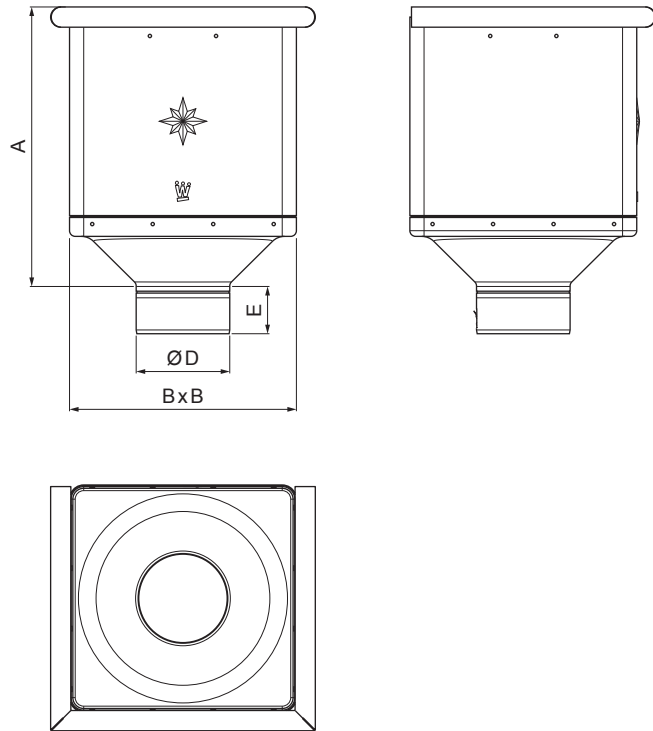



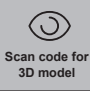


TECHNICAL SHEET

HOPPER CUBIC

W.15-WKLZ KU



BHTM Aluminium pre-painted W.15 – Grey aluminum W.15 – RAL 9007

INDEX	CHANGE	DATE	SIGNATURE			
MATERIAL BRAND			W.C.	WEIGHT kg	SCALE	
SIZE, SEMI-FINISHED PRODUCTS				STN STANDARD	SORTING NUMBER	
AUXILIARY EQUIPMENT				NOTE	POSITION NUMBER	
ELABORATED BY Ing. Kluska M.						
TESTED BY						
TECHNOLOGIST		TECHNOLOGIST		OLD DRAWING	DRAWING NUMBER	
NAME			Hopper CUBIC		Number of sheets	W.15-WKLZ KU Sheet 

Created: 20.04.2026 09:53:44

Technical changes reserved

Dimensions [mm]				
Nominal size	A	B	D	E
80	291	240	79	44
100	288	240	99	50
120	284	240	119	60