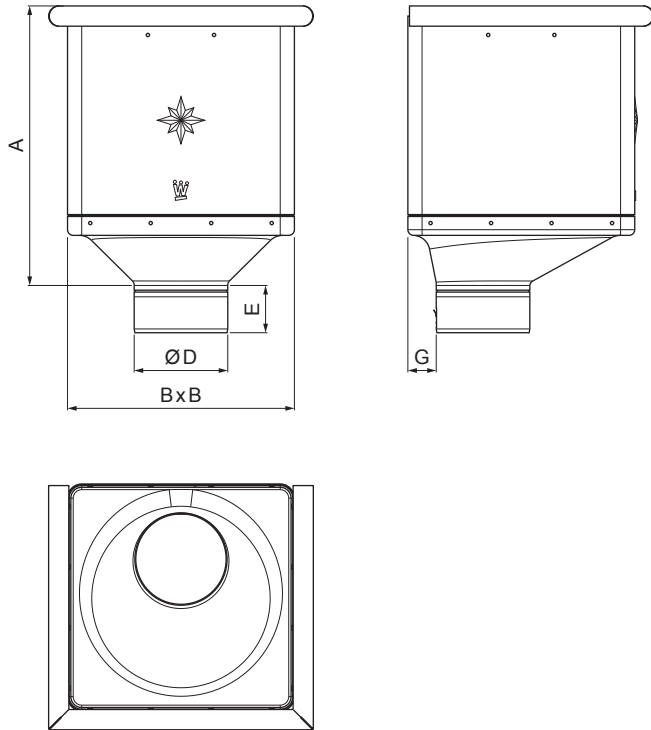


TECHNICAL SHEET



# HOPPER CUBIC ECCENTRIC

# W.15-WKLZ KX



**BM** Aluminium pre-painted W.15 – Pure white W.15 – RAL 9010

| Dimensions [mm] |     |     |     |    |    |
|-----------------|-----|-----|-----|----|----|
| Nominal size    | A   | B   | D   | E  | G  |
| 80              | 283 | 240 | 79  | 44 | 30 |
| 100             | 283 | 240 | 99  | 50 | 30 |
| 120             | 283 | 240 | 119 | 60 | 30 |

|                              |        |              |   |   |   |
|------------------------------|--------|--------------|---|---|---|
| INDEX                        | CHANGE | DATE         | SIGNATURE   |  |  |
|                              |        |              |   |   |   |
| MATERIAL BRAND               |        |              | W.C.  | WEIGHT kg   | SCALE   |
| SIZE, SEMI-FINISHED PRODUCTS |        |              |   | STN STANDARD  | SORTING NUMBER  |
| AUXILIARY EQUIPMENT          |        |              |   | NOTE  | POSITION NUMBER   |
| ELABORATED BY Ing. Kluska M. |        |              |   |   |   |
| TESTED BY                    |        |              |   |   |   |
| TECHNOLOGIST                 |        | TECHNOLOGIST |   | OLD DRAWING   | DRAWING NUMBER  |
| NAME                         |        |              | Hopper CUBIC ECCENTRIC<br>Number of sheets      W.15-WKLZ KX      Sheet |   |   |

Created: 07.06.2026 02:43:56

Technical changes reserved