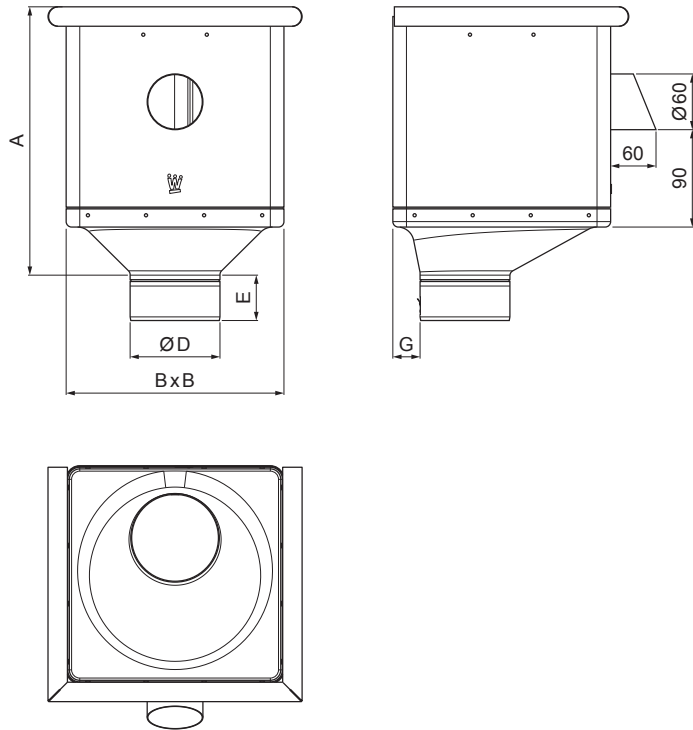





TECHNICAL SHEET

# HOPPER CUBIC ECCENTRIC WITH OVERFLOW PIPE W.15-WKLZ KXV



**BHM** Aluminium pre-painted W.15 – White aluminum W.15 – RAL 9006

Dimensions [mm]					
Nominal size	A	B	D	E	G
80	283	240	79	44	30
100	283	240	99	50	30
120	283	240	119	60	30

INDEX	CHANGE	DATE	SIGNATURE	 	
MATERIAL BRAND			W.C.	WEIGHT kg	SCALE
SIZE, SEMI-FINISHED PRODUCTS				STN STANDARD	SORTING NUMBER
AUXILIARY EQUIPMENT				NOTE	POSITION NUMBER
ELABORATED BY Ing. Kluska M.					
TESTED BY					
TECHNOLOGIST		TECHNOLOGIST		OLD DRAWING	DRAWING NUMBER
NAME			Hopper CUBIC ECCENTRIC with overflow pipe		
			Number of sheets	W.15-WKLZ KXV	Sheet 

Created: 20.01.2026 01:25:29

Technical changes reserved