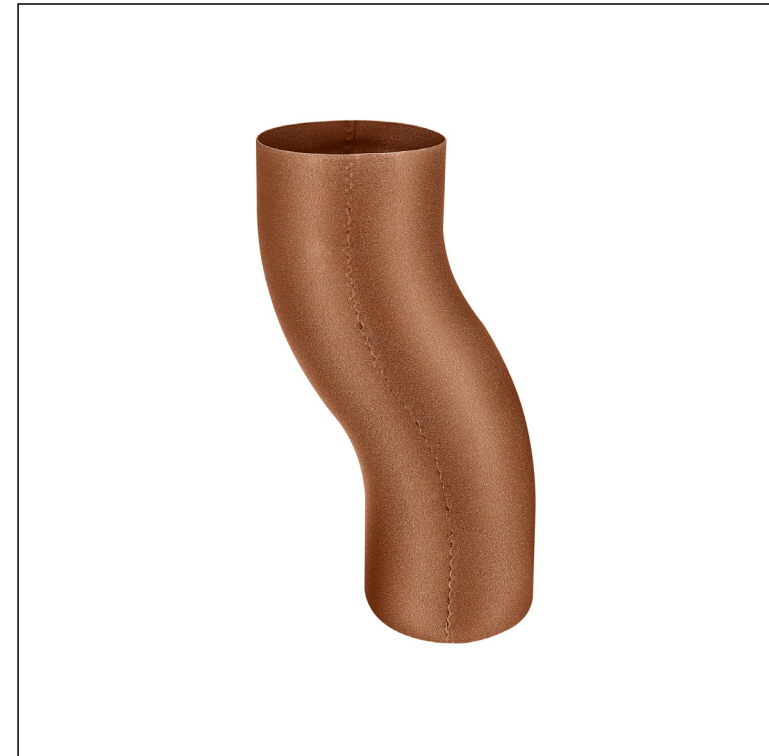
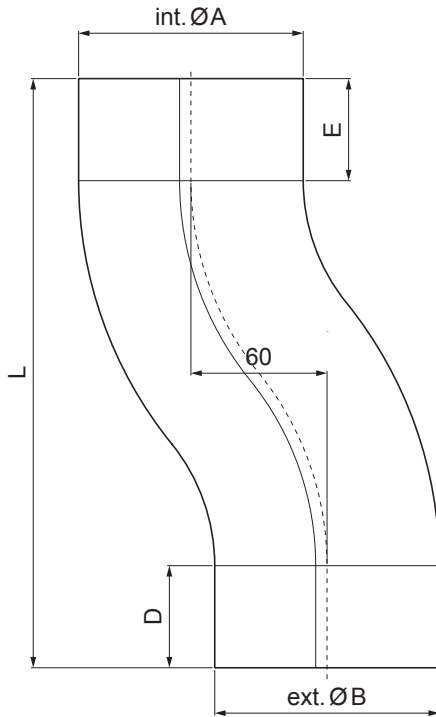


TECHNICAL SHEET

DOUBLE ELBOW

W.15-WKO



Aluminium pre-painted W.15 – Copper brown W.15 – RAL 8004

INDEX	CHANGE	DATE	SIGNATURE		
MATERIAL BRAND			W.C.	WEIGHT kg	SCALE
SIZE, SEMI-FINISHED PRODUCTS				STN STANDARD	SORTING NUMBER
AUXILIARY EQUIPMENT				NOTE	POSITION NUMBER
ELABORATED BY Ing. Kluska M.				OLD DRAWING	DRAWING NUMBER
TESTED BY					
TECHNOLOGIST			TECHNOLOGIST		
NAME			Double elbow		
			Number of sheets	W.15-WKO	Sheet

Created: 06.06.2026 18:18:10

Technical changes reserved

Dimensions [mm]					
Nominal size	$\varnothing A$	$\varnothing B$	D	E	L
80	80,4	79,0	35	35	219
100	100,4	99,0	35	35	240
120	120,4	119,0	40	40	268