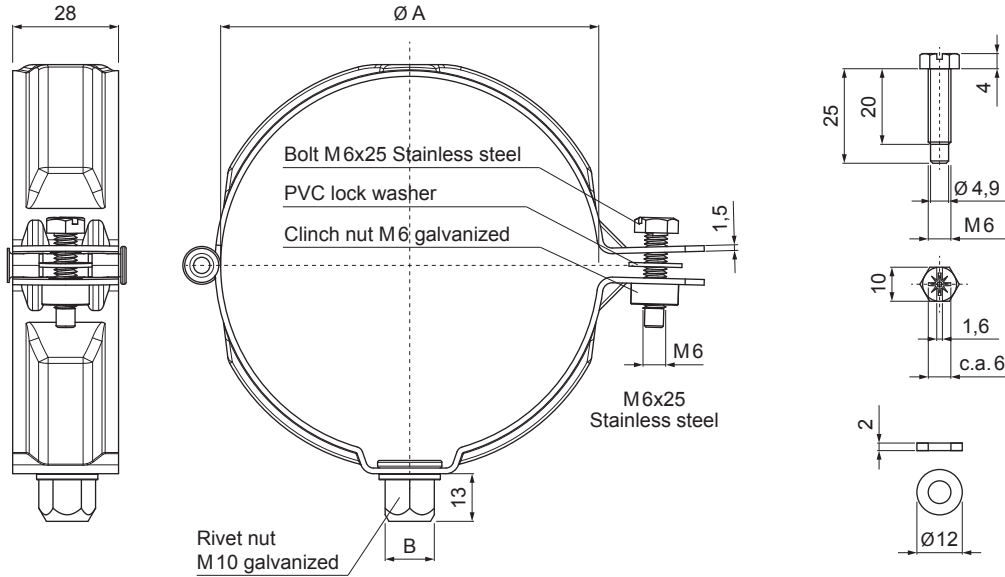


TECHNICAL SHEET




# DOWNPIPE BRACKET WITH THREAD M 10

# P-POB



**P** Galvanized steel – Natur

Dimensions [mm]		
Nominal size	Ø A	B
60	60	13
80	80	13
100	100	13
120	120	13
150	150	13

INDEX	CHANGE	DATE	SIGNATURE	 	
MATERIAL BRAND			W.C.	WEIGHT kg	SCALE
SIZE, SEMI-FINISHED PRODUCTS				STN STANDARD	SORTING NUMBER
AUXILIARY EQUIPMENT				NOTE	POSITION NUMBER
ELABORATED BY Ing. Kluska M.				OLD DRAWING	DRAWING NUMBER
TESTED BY					
TECHNOLOGIST			TECHNOLOGIST		
NAME			Downpipe bracket with thread M 10		
			Number of sheets	P-POB	Sheet 

Created: 06.06.2026 17:40:09

Technical changes reserved