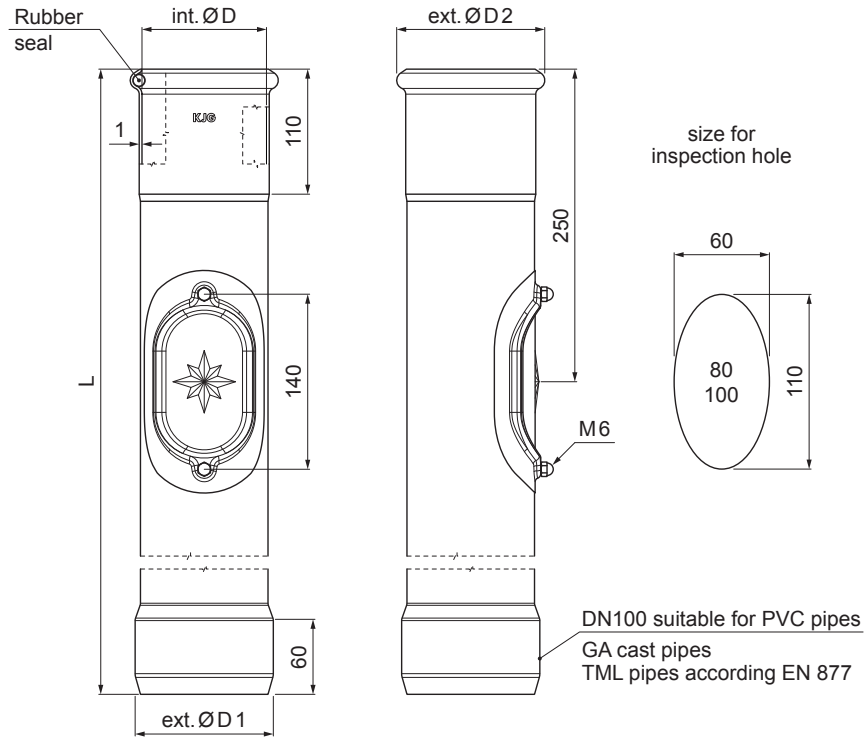


TECHNICAL SHEET

PROTECTIVE GUTTER PIPE WITH INSPECTION HOLE

P-POZR



P Galvanized steel – Natur

Dimensions [mm]				
Nominal size	ØD	ØD1	ØD2	L
80	81	110	101	1000
100	101	110	118	1000
100	101	110	118	1500

INDEX	CHANGE	DATE	SIGNATURE	KJG QUALITY®	Scan code for 3D model	
MATERIAL BRAND			W.C.	WEIGHT kg	SCALE	
SIZE, SEMI-FINISHED PRODUCTS			STN STANDARD		SORTING NUMBER	
AUXILIARY EQUIPMENT			NOTE		POSITION NUMBER	
ELABORATED BY Ing. Kluska M.			OLD DRAWING		DRAWING NUMBER	
TESTED BY			TECHNOLOGIST		DRAWING NUMBER	
NAME			Protective gutter pipe with inspection hole		Number of sheets	
					P-POZR Sheet	

Created: 05.06.2026 00:17:24

Technical changes reserved