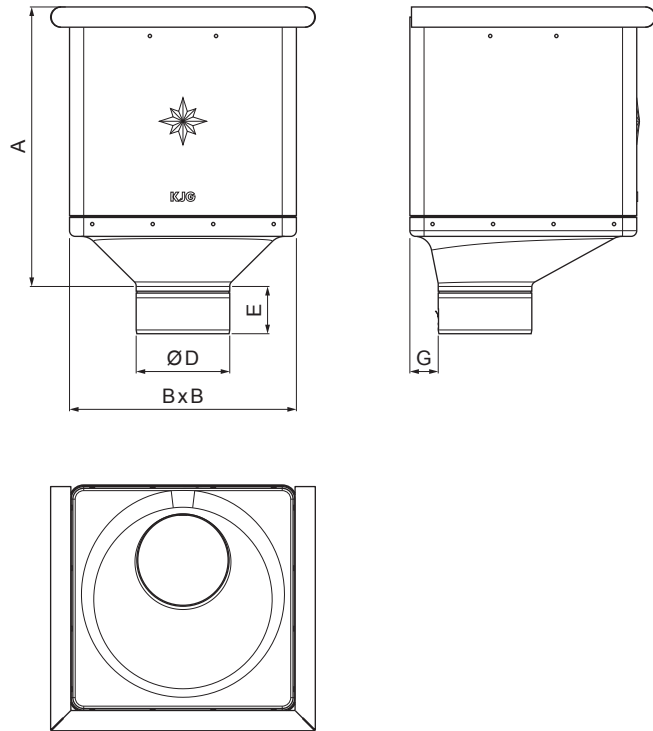


TECHNICAL SHEET


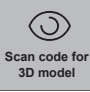


# HOPPER CUBIC ECCENTRIC

# TZ-TZKLZ KX



**TZ** Titanium zinc – Natur

Dimensions [mm]					
Nominal size	A	B	D	E	G
80	283	240	79	44	30
100	283	240	99	50	30
120	283	240	119	60	30

INDEX	CHANGE	DATE	SIGNATURE			
MATERIAL BRAND			W.C.	WEIGHT kg	SCALE	
SIZE, SEMI-FINISHED PRODUCTS				STN STANDARD	SORTING NUMBER	
AUXILIARY EQUIPMENT				NOTE	POSITION NUMBER	
ELABORATED BY Ing. Kluska M.						
TESTED BY						
TECHNOLOGIST		TECHNOLOGIST		OLD DRAWING	DRAWING NUMBER	
NAME Hopper CUBIC ECCENTRIC				Number of sheets	TZ-TZKLZ KX Sheet 	

Created: 05.06.2026 05:52:55

Technical changes reserved