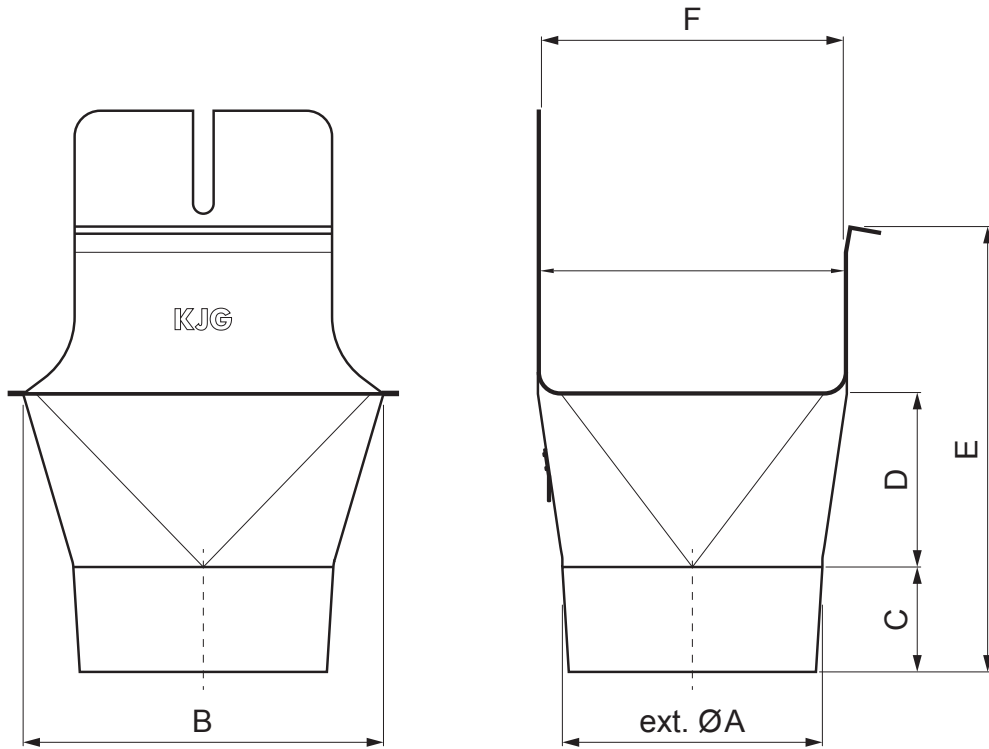


TECHNICAL SHEET

# OUTLET SQUARE/ROUND

# PH-PKLHG



**P** Galvanized steel – Natur

Dimensions [mm]						
Nominal size	ØA	B	C	D	E	F
200/60	60	84	28	36	67	70
250/80	80	111	38	46	91	85
333/100	100	140	46	62	126	120
400/120	120	169	55	73	154	150

INDEX	CHANGE	DATE	SIGNATURE	<b>KJG</b> QUALITY®	Scan code for 3D model	
MATERIAL BRAND			W.C.	WEIGHT kg	SCALE	
SIZE, SEMI-FINISHED PRODUCTS				STN STANDARD	SORTING NUMBER	
AUXILIARY EQUIPMENT				NOTE	POSITION NUMBER	
ELABORATED BY Ing. Kluska M.						
TESTED BY						
TECHNOLOGIST		TECHNOLOGIST		OLD DRAWING	DRAWING NUMBER	
NAME			Outlet square/round		Number of sheets	PH-PKLHG Sheet

Created: 05.06.2026 04:39:30

Technical changes reserved