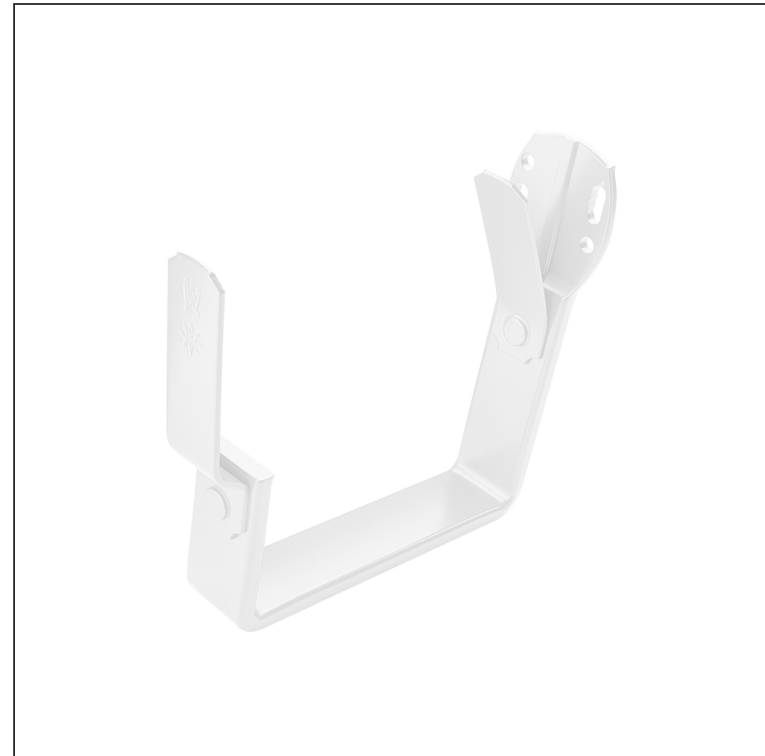






TECHNICAL SHEET

# HOOK FASCIA SQUARE

# PH-PHHK



**SB** Color : Galvanized steel pre-painted – Grey white – RAL 9002  
Material: Aluminium – Natur

INDEX	CHANGE	DATE	SIGNATURE			
MATERIAL BRAND			W.C.	WEIGHT kg	SCALE	
SIZE, SEMI-FINISHED PRODUCTS			STN STANDARD		SORTING NUMBER	
AUXILIARY EQUIPMENT			NOTE		POSITION NUMBER	
ELABORATED BY Ing. Kluska M.			OLD DRAWING		DRAWING NUMBER	
TESTED BY			NAME		PH-PHHK	
TECHNOLOGIST			Hook fascia square		Number of sheets	Sheet 

Created: 05.06.2026 00:18:12

Technical changes reserved

Dimensions [mm]				
Nominal size	A	B x H	C	D
250	38	28 x 7	87	48
333	55	28 x 7	123	66
400	68	28 x 7	153	82