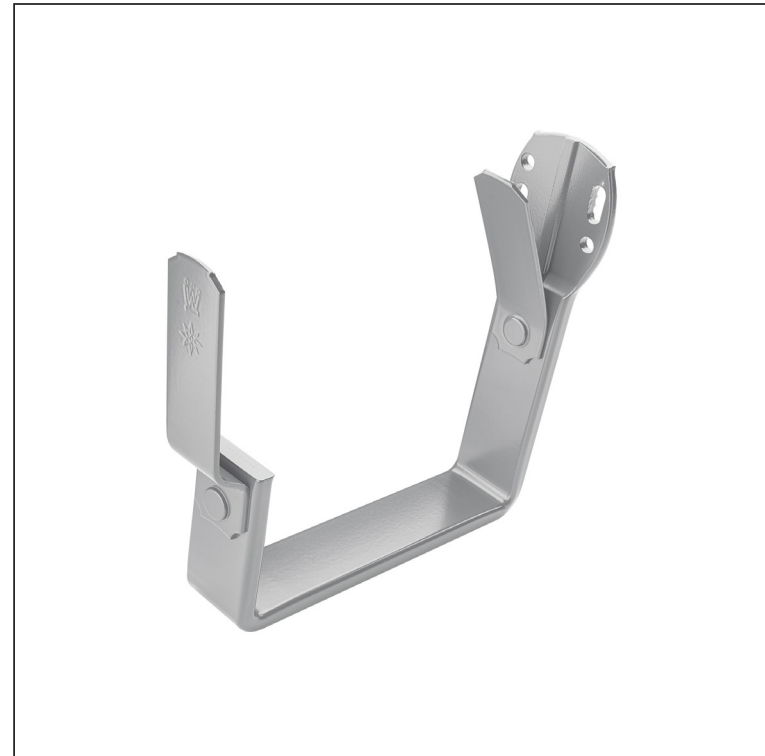


TECHNICAL SHEET

# HOOK FASCIA SQUARE

# PH-PHHK



**BH** Color : Galvanized steel prepainted – White aluminum – RAL 9006  
Material: Aluminium – Natur

INDEX	CHANGE	DATE	SIGNATURE	<b>KJG</b> QUALITY®	Scan code for 3D model	
MATERIAL BRAND			W.C.	WEIGHT kg	SCALE	
SIZE, SEMI-FINISHED PRODUCTS				STN STANDARD	SORTING NUMBER	
AUXILIARY EQUIPMENT				NOTE	POSITION NUMBER	
ELABORATED BY Ing. Kluska M.				OLD DRAWING	DRAWING NUMBER	
TESTED BY						
TECHNOLOGIST			TECHNOLOGIST			
NAME			Hook fascia square		Number of sheets	PH-PHHK Sheet

Created: 05.06.2026 19:49:43

Technical changes reserved

Dimensions [mm]				
Nominal size	A	B x H	C	D
250	38	28 x 7	87	48
333	55	28 x 7	123	66
400	68	28 x 7	153	82