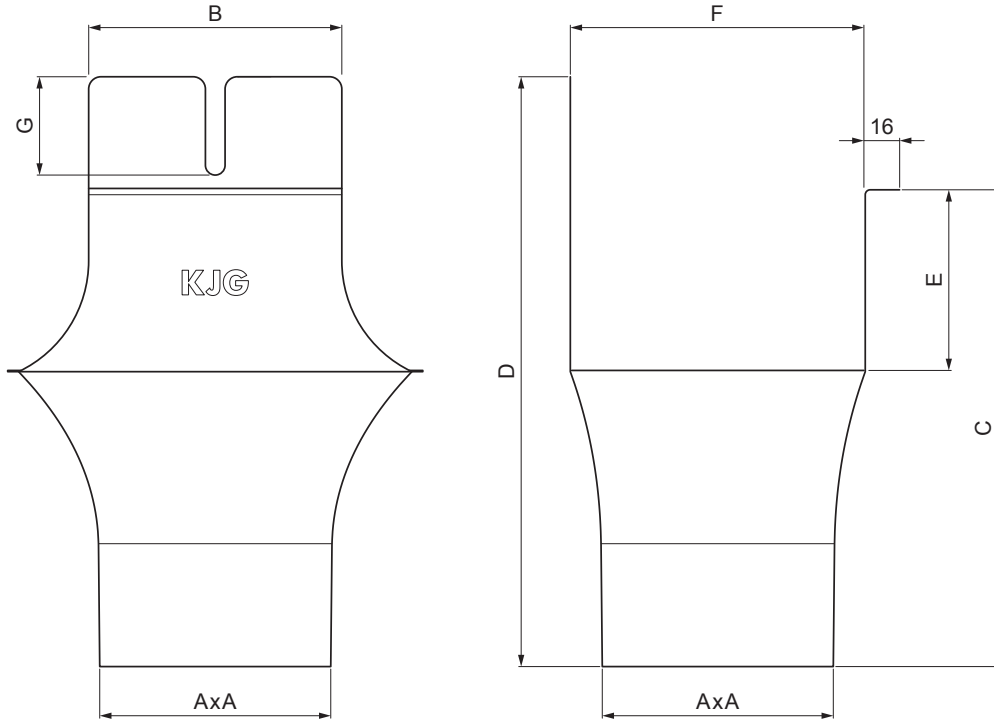


TECHNICAL SHEET

OUTLET SQUARE

PH-PKLH



BH Galvanized steel prepainted – White aluminum – RAL 9006

Dimensions [mm]							
Nominal size	AxA	B	C	D	E	F	G
250-80/80	80x80	80	138	180	41	85	50
333-80/80	80x80	103	176	240	58	120	40
333-100/100	100x100	103	176	240	58	120	40
400-100/100	100x100	113	207	272	73	150	57
400-120/120	120x120	130	207	276	73	150	50
500-150/150	150x150	165	288	373	93	200	60

INDEX	CHANGE	DATE	SIGNATURE		
MATERIAL BRAND			W.C.	WEIGHT kg	SCALE
SIZE, SEMI-FINISHED PRODUCTS			STN STANDARD		SORTING NUMBER
AUXILIARY EQUIPMENT			NOTE		POSITION NUMBER
ELABORATED BY Ing. Kluska M.			OLD DRAWING		DRAWING NUMBER
TESTED BY			NAME		
TECHNOLOGIST			TECHNOLOGIST		
NAME			Outlet square		
Number of sheets			PH-PKLH		Sheet

Created: 05.06.2026 19:34:08

Technical changes reserved