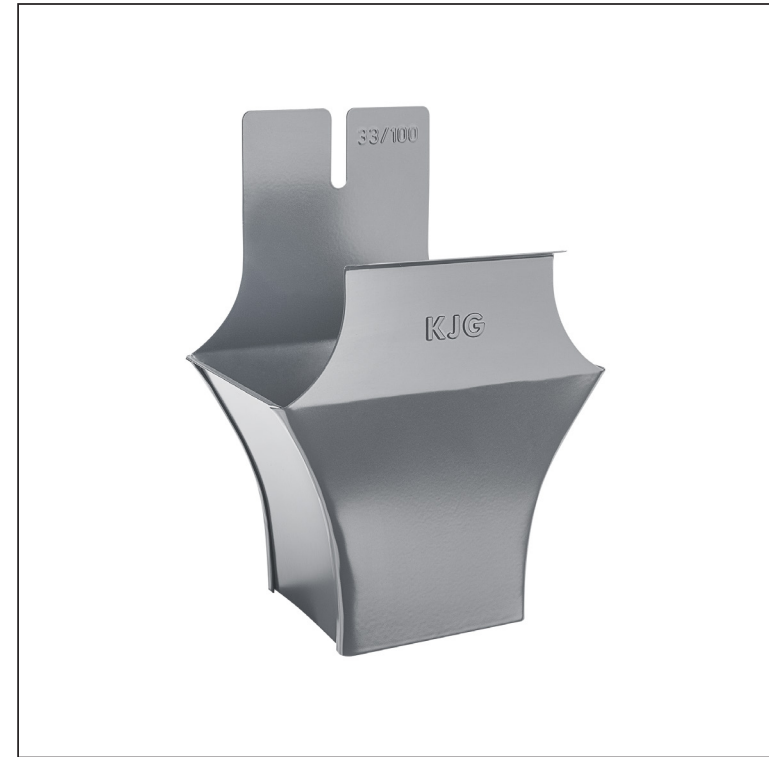
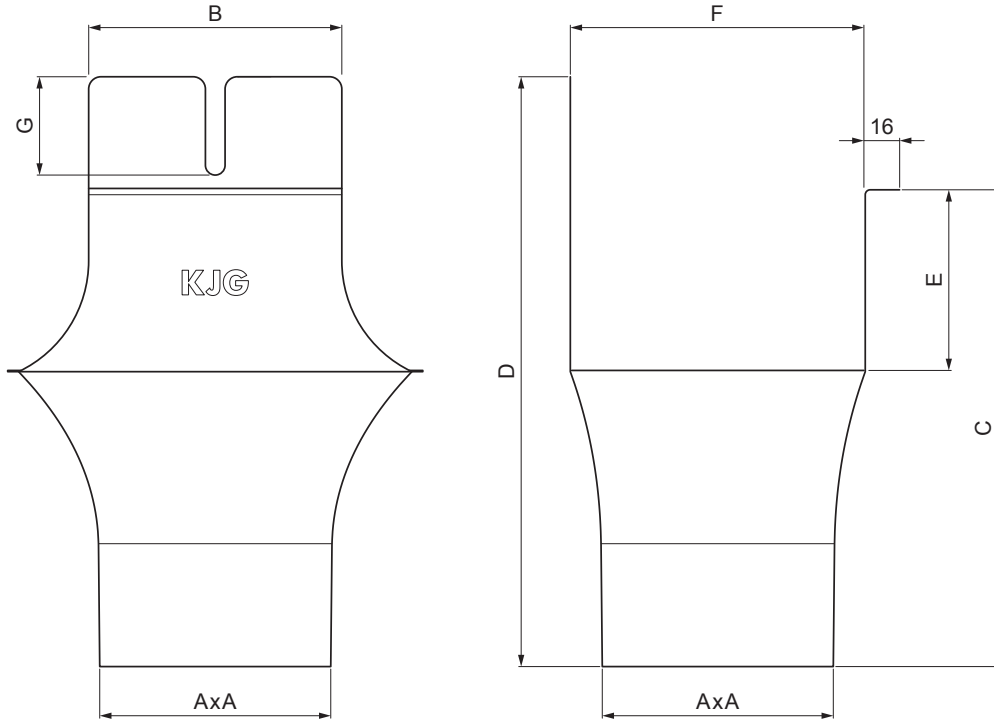


TECHNICAL SHEET

# OUTLET SQUARE

# PH-PKLH



**PS** Galvanized steel prepainted – Dusty grey – RAL 7037

Dimensions [mm]							
Nominal size	AxA	B	C	D	E	F	G
250-80/80	80x80	80	138	180	41	85	50
333-80/80	80x80	103	176	240	58	120	40
333-100/100	100x100	103	176	240	58	120	40
400-100/100	100x100	113	207	272	73	150	57
400-120/120	120x120	130	207	276	73	150	50
500-150/150	150x150	165	288	373	93	200	60

INDEX	CHANGE	DATE	SIGNATURE	<b>KJG</b> QUALITY®	Scan code for 3D model	
MATERIAL BRAND			W.C.	WEIGHT kg	SCALE	
SIZE, SEMI-FINISHED PRODUCTS			STN STANDARD		SORTING NUMBER	
AUXILIARY EQUIPMENT			NOTE		POSITION NUMBER	
ELABORATED BY Ing. Kluska M.			OLD DRAWING		DRAWING NUMBER	
TESTED BY			NAME		PH-PKLH	
TECHNOLOGIST			Outlet square		Number of sheets	Sheet

Created: 05.06.2026 05:34:00

Technical changes reserved