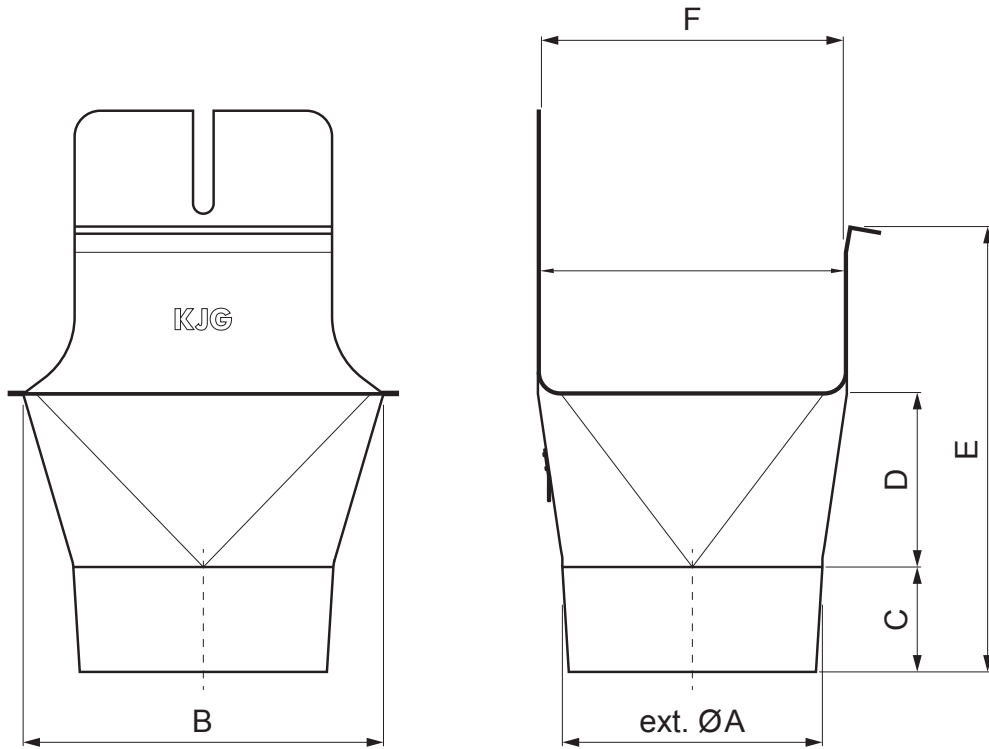


TECHNICAL SHEET




# OUTLET SQUARE/ROUND

# PH-PKLHG



**IC** Galvanized steel prepainted – Intense black – RAL 9005

Dimensions [mm]						
Nominal size	ØA	B	C	D	E	F
200/60	60	84	28	36	67	70
250/80	80	111	38	46	91	85
333/100	100	140	46	62	126	120
400/120	120	169	55	73	154	150

INDEX	CHANGE	DATE	SIGNATURE		
MATERIAL BRAND			W.C.	WEIGHT kg	SCALE
SIZE, SEMI-FINISHED PRODUCTS			STN STANDARD		SORTING NUMBER
AUXILIARY EQUIPMENT			NOTE		POSITION NUMBER
ELABORATED BY Ing. Kluska M.			OLD DRAWING		DRAWING NUMBER
TESTED BY			NAME		
TECHNOLOGIST			Outlet square/round		
NAME			Number of sheets		PH-PKLHG Sheet 

Created: 06.06.2026 18:42:50

Technical changes reserved