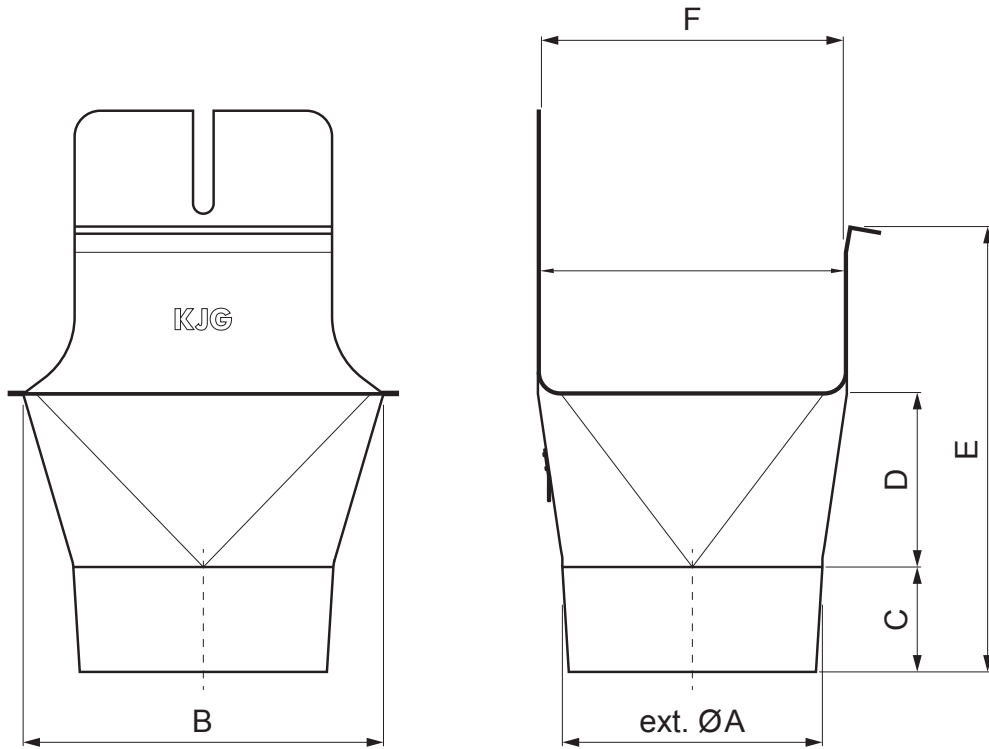


TECHNICAL SHEET

OUTLET SQUARE/ROUND

PH-PKLHG



SB Galvanized steel prepainted – Grey white – RAL 9002

Dimensions [mm]						
Nominal size	ØA	B	C	D	E	F
200/60	60	84	28	36	67	70
250/80	80	111	38	46	91	85
333/100	100	140	46	62	126	120
400/120	120	169	55	73	154	150

INDEX	CHANGE	DATE	SIGNATURE	KJG QUALITY®	Scan code for 3D model
MATERIAL BRAND			W.C.	WEIGHT kg	SCALE
SIZE, SEMI-FINISHED PRODUCTS			STN STANDARD		SORTING NUMBER
AUXILIARY EQUIPMENT			NOTE		POSITION NUMBER
ELABORATED BY Ing. Kluska M.			OLD DRAWING		DRAWING NUMBER
TESTED BY			NAME		
TECHNOLOGIST			TECHNOLOGIST		
NAME			Outlet square/round		
Number of sheets			PH-PKLHG		Sheet

Created: 05.06.2026 01:15:12

Technical changes reserved