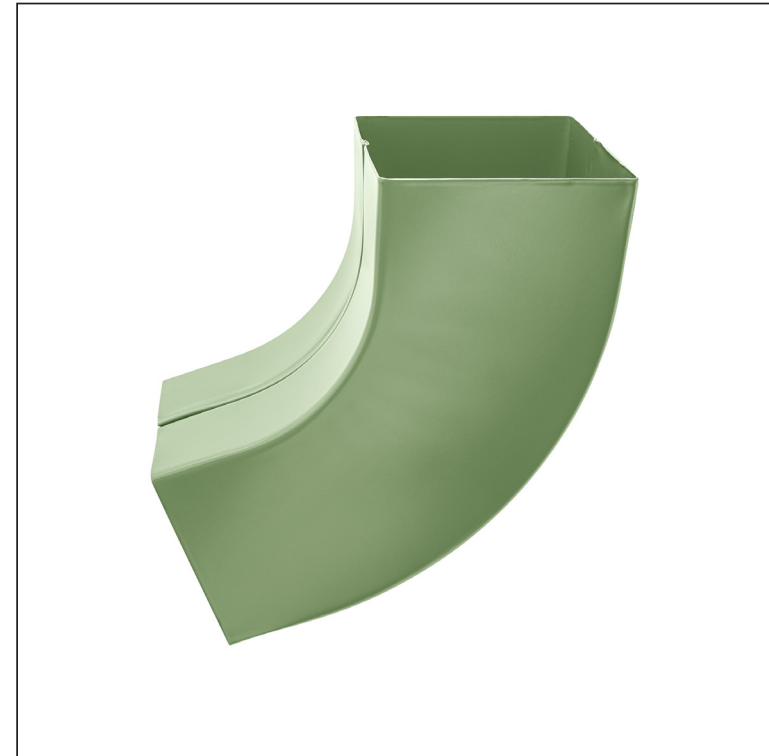
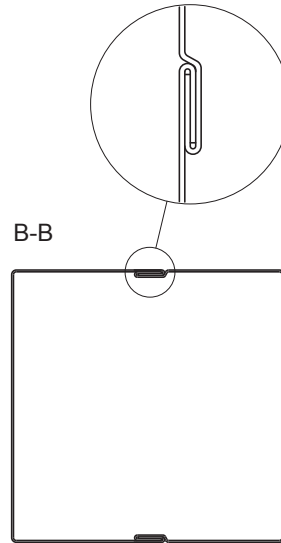
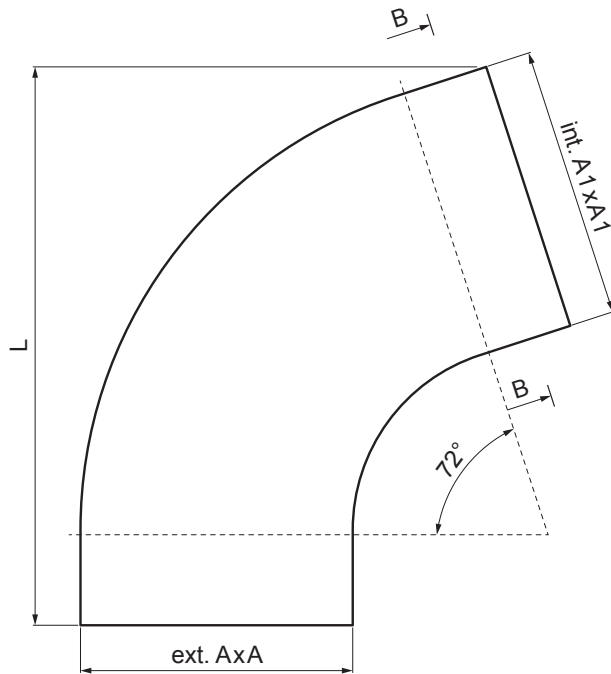


TECHNICAL SHEET




ELBOW SQUARE 72°

PH-PKH



TZ Galvanized steel prepainted – Reseda green – RAL 6011

Dimensions [mm]			
Nominal size	AxA	A1xA1	L
80/80	78 x 78	83 x 83	210
100/100	98 x 98	103 x 103	270

INDEX	CHANGE	DATE	SIGNATURE		
MATERIAL BRAND			W.C.	WEIGHT kg	SCALE
SIZE, SEMI-FINISHED PRODUCTS				STN STANDARD	SORTING NUMBER
AUXILIARY EQUIPMENT				NOTE	POSITION NUMBER
ELABORATED BY Ing. Kluska M.				OLD DRAWING	DRAWING NUMBER
TESTED BY					
TECHNOLOGIST		TECHNOLOGIST		Number of sheets	PH-PKH Sheet 
NAME			Elbow square 72°		

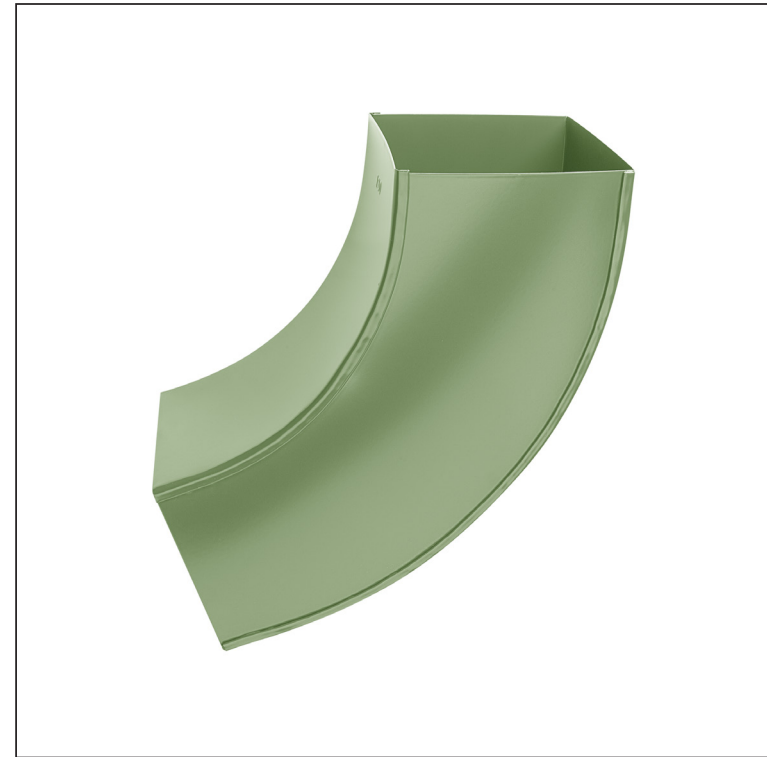
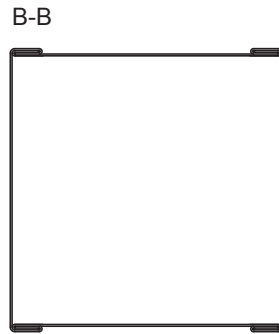
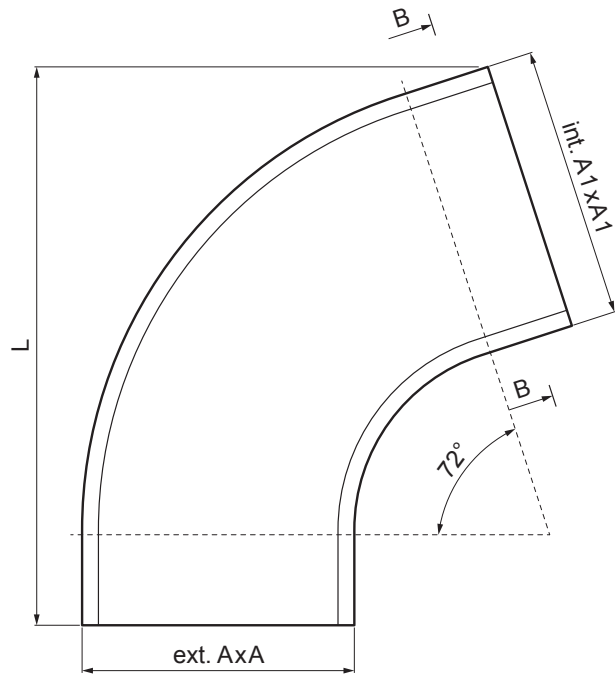
Created: 06.06.2026 17:40:18

Technical changes reserved

TECHNICAL SHEET





ELBOW SQUARE 72°

PH-PKH



TZ Galvanized steel prepainted – Reseda green – RAL 6011

Dimensions [mm]			
Nominal size	AxA	A1xA1	L
120/120	118 x 118	123 x 123	300
150/150	148 x 148	153 x 153	350

INDEX	CHANGE	DATE	SIGNATURE			
MATERIAL BRAND			W.C.	WEIGHT kg	SCALE	
SIZE, SEMI-FINISHED PRODUCTS			STN STANDARD		SORTING NUMBER	
AUXILIARY EQUIPMENT			NOTE		POSITION NUMBER	
ELABORATED BY Ing. Kluska M.			OLD DRAWING		DRAWING NUMBER	
TESTED BY			NAME		PH-PKH	
TECHNOLOGIST			TECHNOLOGIST		Number of sheets	Sheet 
			Elbow square 72°			

Created: 06.06.2026 17:40:18

Technical changes reserved