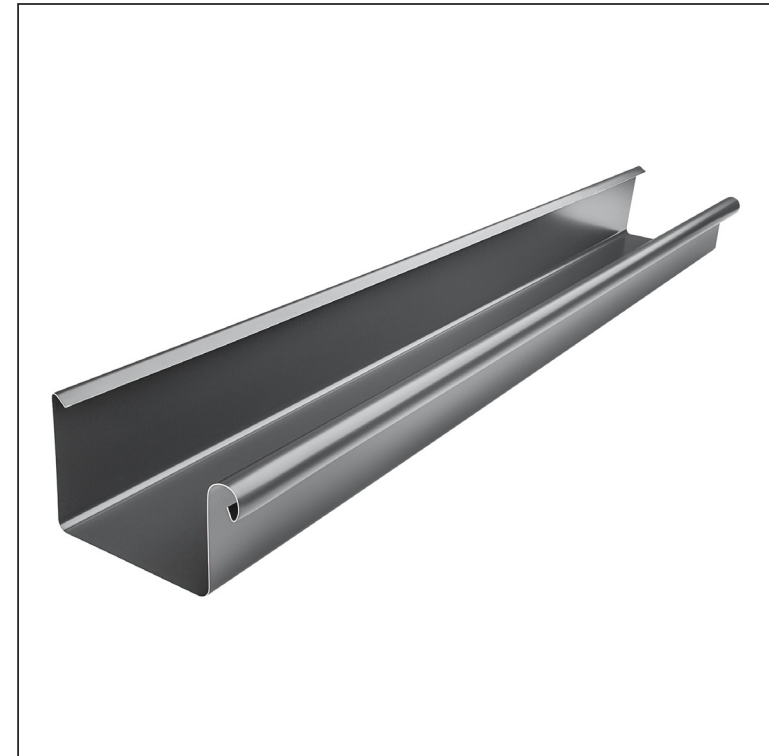


TECHNICAL SHEET

GUTTER SQUARE [s=0,70]

WH-WZHD



AN Aluminium pre-painted – Anthracite – RAL 7016

INDEX	CHANGE	DATE	SIGNATURE	KJG QUALITY®	Scan code for 3D model
MATERIAL BRAND			W.C.	WEIGHT kg	SCALE
SIZE, SEMI-FINISHED PRODUCTS				STN STANDARD	SORTING NUMBER
AUXILIARY EQUIPMENT				NOTE	POSITION NUMBER
ELABORATED BY Ing. Kluska M.					
TESTED BY					
TECHNOLOGIST		TECHNOLOGIST		OLD DRAWING	DRAWING NUMBER
NAME Gutter square [s=0,70]				Number of sheets	WH-WZHD Sheet

Created: 05.06.2026 18:49:21

Technical changes reserved

Dimensions [mm]							
Nominal size	S	A	B	C	ØD	E	F min.
250	0,70	55	85	7	18	5	10
333	0,70	75	120	7	20	6	11
400	0,70	90	150	9	22	6	11