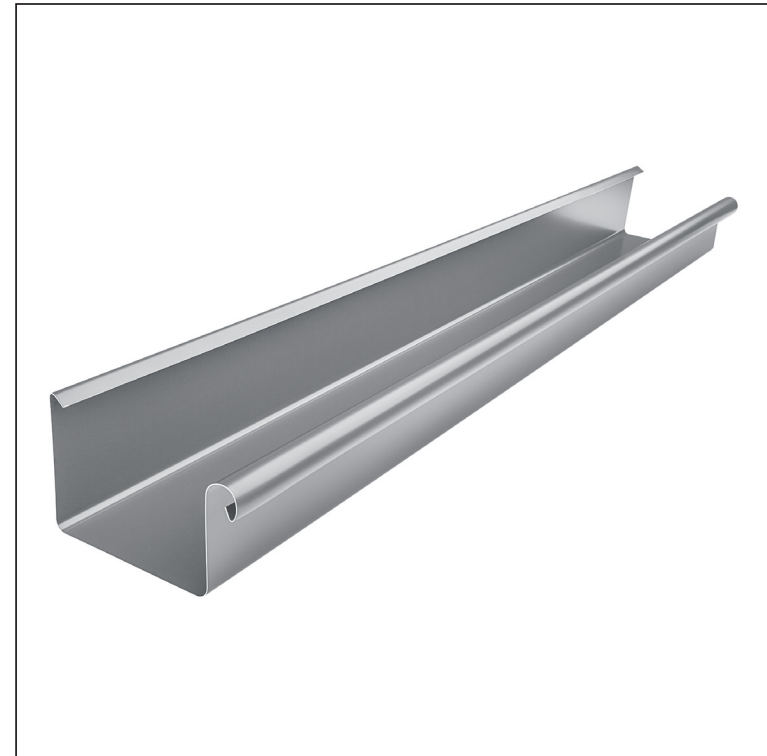


TECHNICAL SHEET

# GUTTER SQUARE [s=0,70]

# WH-WZHD



**SS** Aluminium pre-painted – Mouse grey – RAL 7005

INDEX	CHANGE	DATE	SIGNATURE	<b>KJG</b> QUALITY®	Scan code for 3D model
MATERIAL BRAND			W.C.	WEIGHT kg	SCALE
SIZE, SEMI-FINISHED PRODUCTS				STN STANDARD	SORTING NUMBER
AUXILIARY EQUIPMENT				NOTE	POSITION NUMBER
ELABORATED BY Ing. Kluska M.				OLD DRAWING	DRAWING NUMBER
TESTED BY					
TECHNOLOGIST			TECHNOLOGIST		
NAME			Gutter square [s=0,70]		
			Number of sheets	WH-WZHD	Sheet

Created: 05.06.2026 14:24:26

Technical changes reserved

Dimensions [mm]							
Nominal size	S	A	B	C	ØD	E	F min.
250	0,70	55	85	7	18	5	10
333	0,70	75	120	7	20	6	11
400	0,70	90	150	9	22	6	11