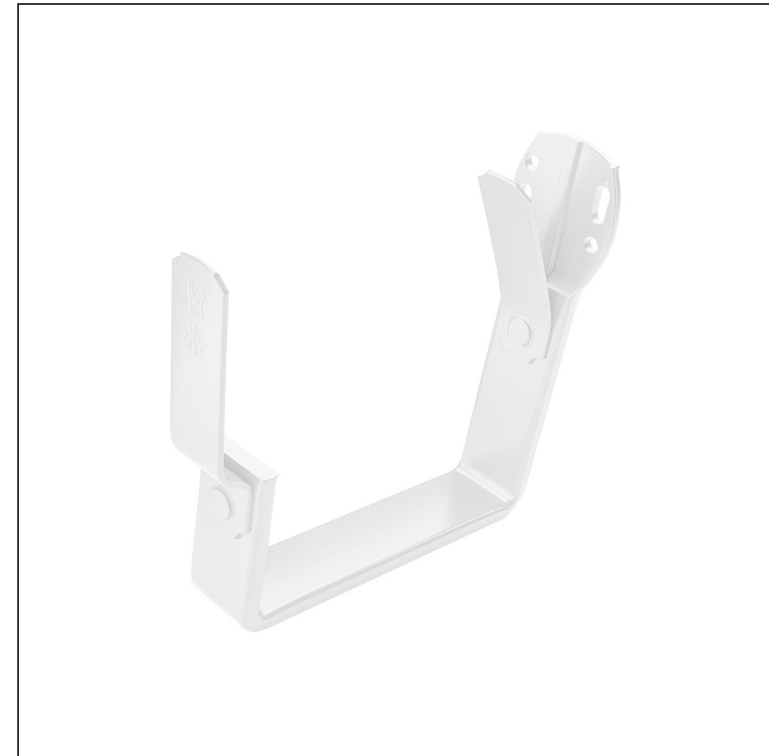


TECHNICAL SHEET

HOOK FASCIA SQUARE

WH-WHHK



B Aluminium pre-painted – Pure white – RAL 9010

INDEX	CHANGE	DATE	SIGNATURE	KJG QUALITY®	Scan code for 3D model	
MATERIAL BRAND			W.C.	WEIGHT kg	SCALE	
SIZE, SEMI-FINISHED PRODUCTS			AUXILIARY EQUIPMENT		STN STANDARD	SORTING NUMBER
ELABORATED BY Ing. Kluska M.			TESTED BY		NOTE	POSITION NUMBER
TECHNOLOGIST		TECHNOLOGIST	OLD DRAWING		DRAWING NUMBER	
NAME Hook fascia square			Number of sheets		WH-WHHK Sheet	

Created: 06.06.2026 17:59:28

Technical changes reserved

Dimensions [mm]				
Nominal size	A	B x H	C	D
250	38	28 x 7	87	48
333	55	28 x 7	123	66
400	68	28 x 7	153	82