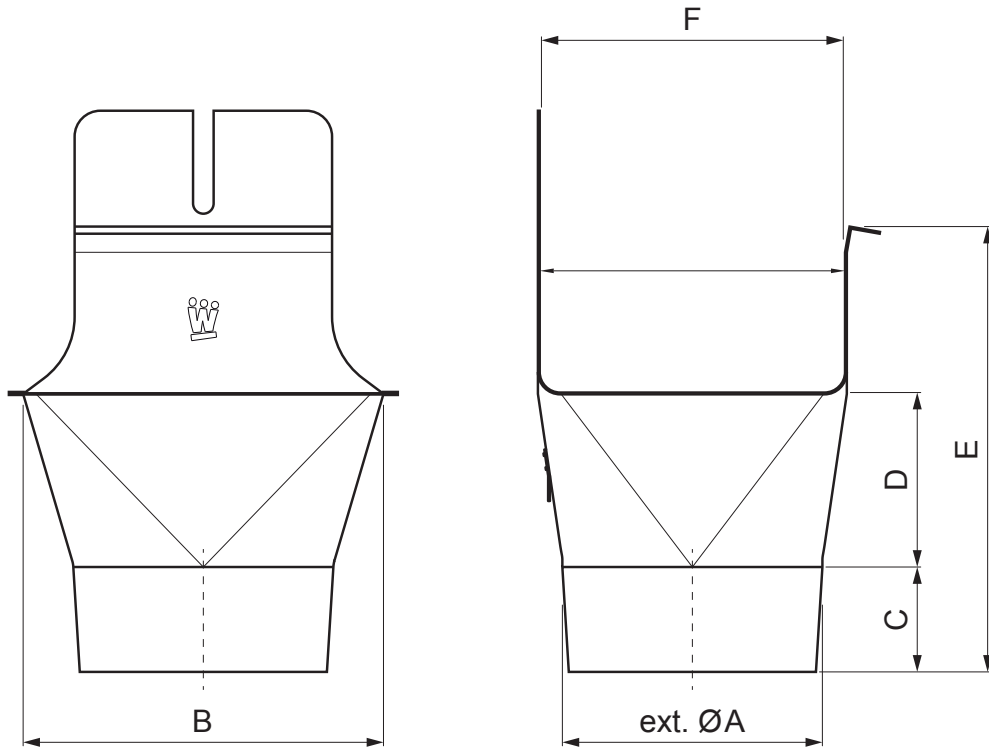


TECHNICAL SHEET

OUTLET SQUARE/ROUND

WH-WKLHG



W Aluminium – Natur

| Dimensions [mm] | | | | | | |
|-----------------|-----|-----|----|----|-----|-----|
| Nominal size | ØA | B | C | D | E | F |
| 200/60 | 60 | 84 | 28 | 36 | 67 | 70 |
| 250/80 | 80 | 111 | 38 | 46 | 91 | 85 |
| 333/100 | 100 | 140 | 46 | 62 | 126 | 120 |
| 400/120 | 120 | 169 | 55 | 73 | 154 | 150 |

| | | | | | | |
|------------------------------|--------|------|---------------------|------------------------|------------------------|-------|
| INDEX | CHANGE | DATE | SIGNATURE | KJG QUALITY® | Scan code for 3D model | |
| | | | | | | |
| MATERIAL BRAND | | | W.C. | WEIGHT kg | SCALE | |
| SIZE, SEMI-FINISHED PRODUCTS | | | STN STANDARD | | SORTING NUMBER | |
| AUXILIARY EQUIPMENT | | | NOTE | | POSITION NUMBER | |
| ELABORATED BY Ing. Kluska M. | | | OLD DRAWING | | DRAWING NUMBER | |
| TESTED BY | | | NAME | | WH-WKLHG | |
| TECHNOLOGIST | | | Outlet square/round | | Number of sheets | Sheet |

Created: 04.06.2026 11:52:28

Technical changes reserved