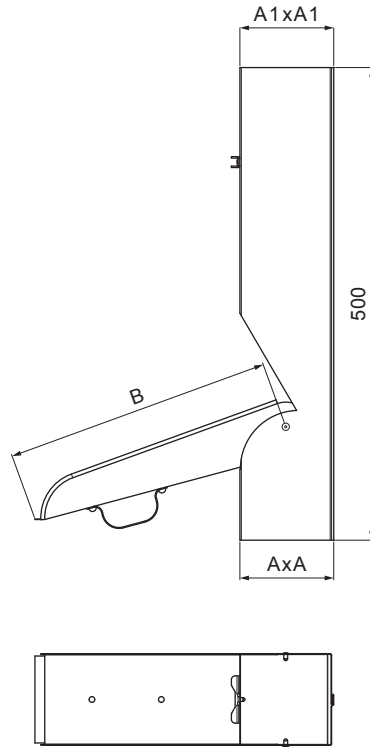


TECHNICAL SHEET

# DOWNPIPE FLAP SQUARE

# WH-WZVH



**W** Aluminium – Natur

INDEX	CHANGE	DATE	SIGNATURE	<b>KJG</b> QUALITY®	Scan code for 3D model	
MATERIAL BRAND			W.C.	WEIGHT kg	SCALE	
SIZE, SEMI-FINISHED PRODUCTS				STN STANDARD	SORTING NUMBER	
AUXILIARY EQUIPMENT				NOTE	POSITION NUMBER	
ELABORATED BY Ing. Kluska M.						
TESTED BY						
TECHNOLOGIST		TECHNOLOGIST		OLD DRAWING	DRAWING NUMBER	
NAME			Downpipe flap square		Number of sheets	WH-WZVH Sheet

Created: 04.06.2026 11:25:51

Technical changes reserved

Dimensions [mm]			
Nominal size	AxA	A1xA1	B
80x80	78x78	83x83	250
100x100	98x98	103x103	250
120x120	118x118	123x123	280