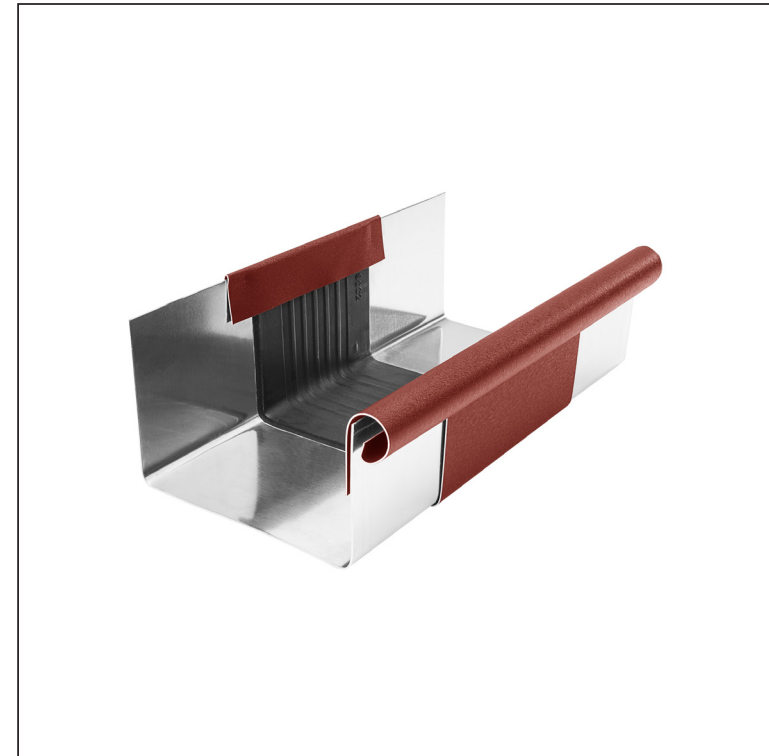


TECHNICAL SHEET

GUTTER EXPANDER SQUARE

W.15H-WZHDI



OCM Aluminium pre-painted W.15 – Steel red W.15 – RAL 3009

INDEX	CHANGE	DATE	SIGNATURE	KJG QUALITY®	Scan code for 3D model
MATERIAL BRAND			W.C.	WEIGHT kg	SCALE
SIZE, SEMI-FINISHED PRODUCTS			STN STANDARD		SORTING NUMBER
AUXILIARY EQUIPMENT			NOTE		POSITION NUMBER
ELABORATED BY Ing. Kluska M.					
TESTED BY					
TECHNOLOGIST		TECHNOLOGIST	OLD DRAWING		DRAWING NUMBER
NAME Gutter expander square			Number of sheets		W.15-WZHDI Sheet

Created: 04.06.2026 17:41:54

Technical changes reserved

Dimensions [mm]						
Nominal size	A	B	C	D	Ø D 1	E
250/260	49	84	56	33	19	77
333/260	70	120	76	40	21	78
400/260	85	150	89	35	23	85