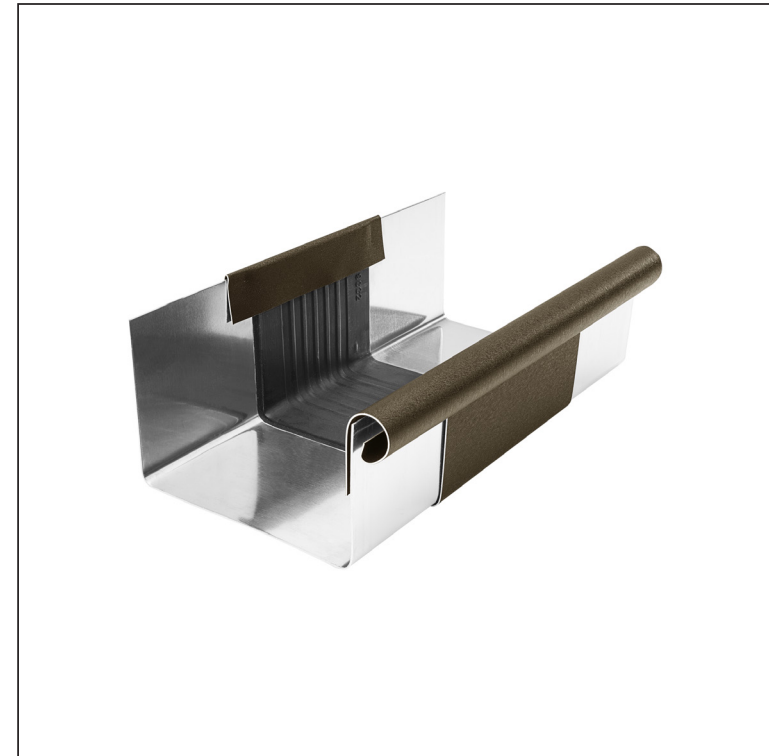


TECHNICAL SHEET

GUTTER EXPANDER SQUARE

W.15H-WZHDI



ZHM Aluminium pre-painted W.15 – Brown grey W.15 – RAL 7013

Dimensions [mm]						
Nominal size	A	B	C	D	Ø D 1	E
250/260	49	84	56	33	19	77
333/260	70	120	76	40	21	78
400/260	85	150	89	35	23	85

INDEX	CHANGE	DATE	SIGNATURE	KJG QUALITY®	Scan code for 3D model
MATERIAL BRAND			W.C.	WEIGHT kg	SCALE
SIZE, SEMI-FINISHED PRODUCTS				STN STANDARD	SORTING NUMBER
AUXILIARY EQUIPMENT				NOTE	POSITION NUMBER
ELABORATED BY Ing. Kluska M.					
TESTED BY					
TECHNOLOGIST		TECHNOLOGIST		OLD DRAWING	DRAWING NUMBER
NAME Gutter expander square				Number of sheets	W.15-WZHDI Sheet

Created: 07.06.2026 13:25:35

Technical changes reserved