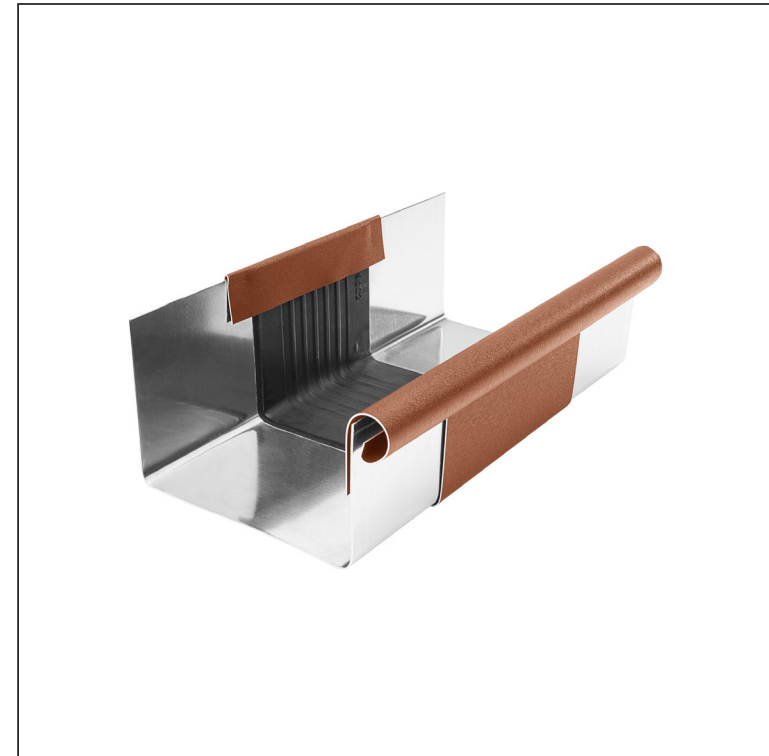


TECHNICAL SHEET

GUTTER EXPANDER SQUARE

W.15H-WZHDI



MHM Aluminium pre-painted W.15 – Copper brown W.15 – RAL 8004

INDEX	CHANGE	DATE	SIGNATURE	KJG QUALITY®	Scan code for 3D model
MATERIAL BRAND			W.C.	WEIGHT kg	SCALE
SIZE, SEMI-FINISHED PRODUCTS				STN STANDARD	SORTING NUMBER
AUXILIARY EQUIPMENT				NOTE	POSITION NUMBER
ELABORATED BY Ing. Kluska M.					
TESTED BY				OLD DRAWING	DRAWING NUMBER
TECHNOLOGIST			TECHNOLOGIST		
NAME			Gutter expander square		
			Number of sheets	W.15-WZHDI	Sheet

Created: 05.06.2026 19:49:42

Technical changes reserved

Dimensions [mm]						
Nominal size	A	B	C	D	ØD 1	E
250/260	49	84	56	33	19	77
333/260	70	120	76	40	21	78
400/260	85	150	89	35	23	85