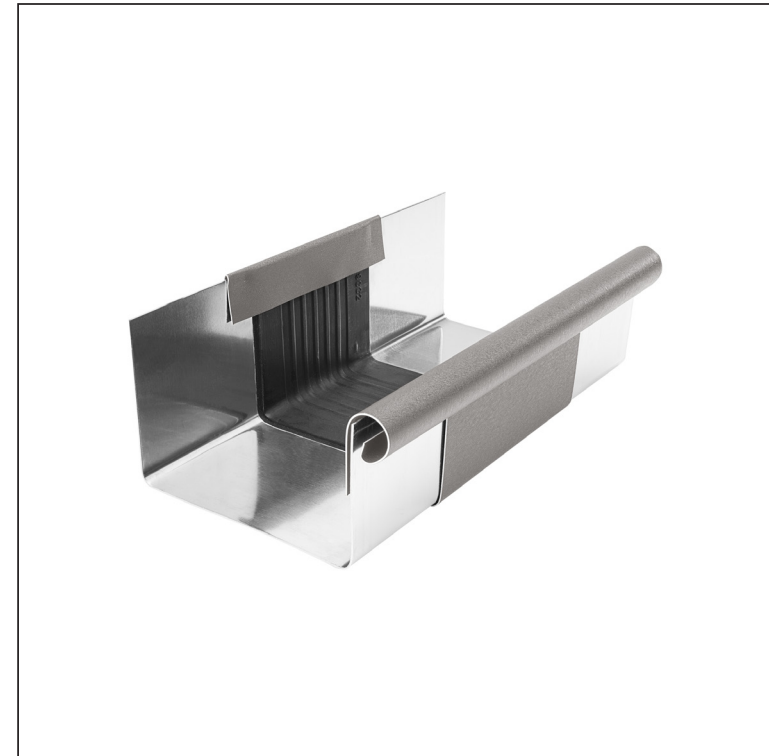


TECHNICAL SHEET

GUTTER EXPANDER SQUARE

W.15H-WZHDI



BHTM Aluminium pre-painted W.15 – Grey aluminum W.15 – RAL 9007

INDEX	CHANGE	DATE	SIGNATURE	KJG QUALITY®	Scan code for 3D model	
MATERIAL BRAND			W.C.	WEIGHT kg	SCALE	
SIZE, SEMI-FINISHED PRODUCTS				STN STANDARD	SORTING NUMBER	
AUXILIARY EQUIPMENT				NOTE	POSITION NUMBER	
ELABORATED BY Ing. Kluska M.						
TESTED BY						
TECHNOLOGIST		TECHNOLOGIST		OLD DRAWING	DRAWING NUMBER	
NAME Gutter expander square				Number of sheets	W.15-WZHDI Sheet	

Created: 05.06.2026 04:39:33

Technical changes reserved

Dimensions [mm]						
Nominal size	A	B	C	D	ØD 1	E
250/260	49	84	56	33	19	77
333/260	70	120	76	40	21	78
400/260	85	150	89	35	23	85