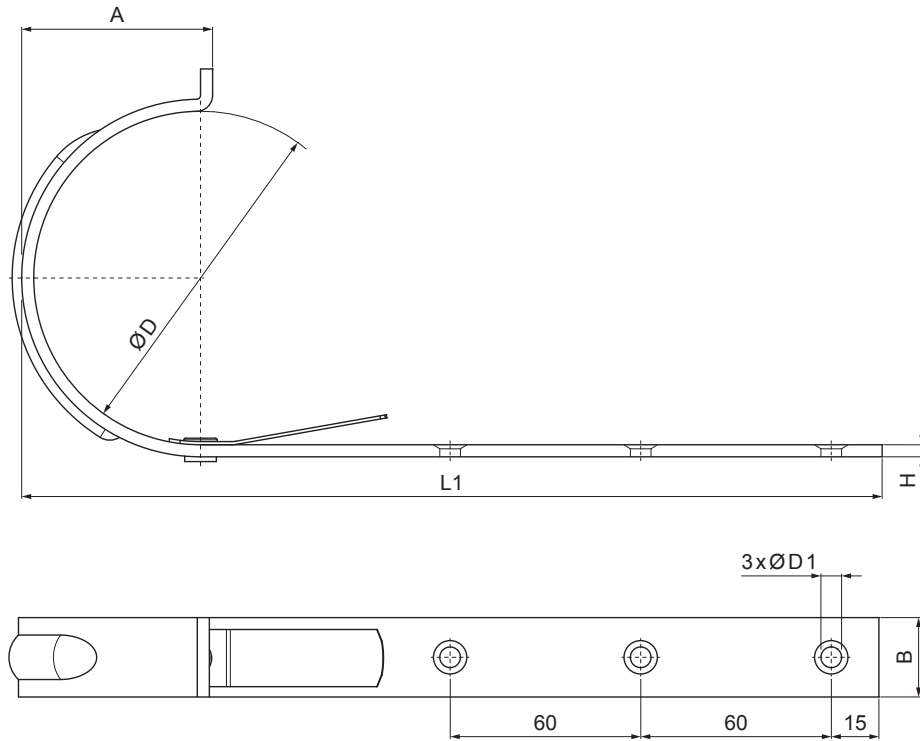





TECHNICAL SHEET

GUTTER HOOK WITH A NOSE

IT-HPN



TM Galvanized steel pre-painted – Testa di Moro – RAL 8028

INDEX	CHANGE	DATE	SIGNATURE		
MATERIAL BRAND			W.C.	WEIGHT kg	SCALE
SIZE, SEMI-FINISHED PRODUCTS				STN STANDARD	SORTING NUMBER
AUXILIARY EQUIPMENT				NOTE	POSITION NUMBER
ELABORATED BY Ing. Kluska M.				OLD DRAWING	DRAWING NUMBER
TESTED BY			TECHNOLOGIST		
NAME			Gutter hook with a nose		
			Number of sheets	IT-HPN	Sheet 

Created: 02.04.2026 04:52:18

Technical changes reserved

Dimensions [mm]					
Nominal size	A	B x H	Ø D	Ø D 1	L 1
250/430	50	25 x 5	105	7	310
280/480	61	25 x 5	127	7	345
333/550	74	25 x 5	153	7	385