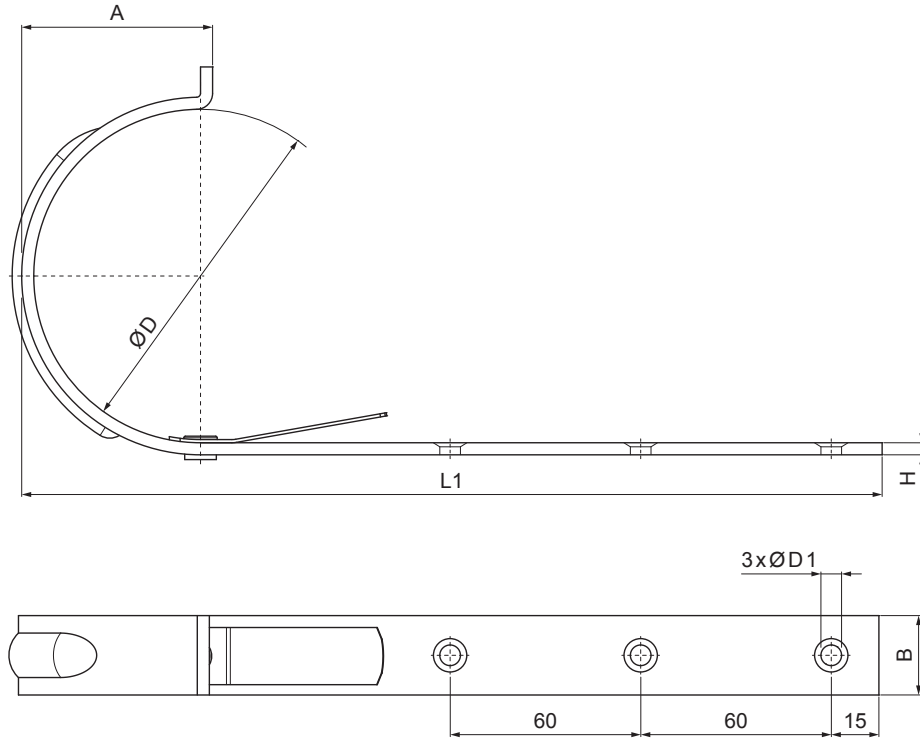


TECHNICAL SHEET

GUTTER HOOK WITH A NOSE

IT-HPN



AN Galvanized steel prepainted – Anthracite – RAL 7016

INDEX	CHANGE	DATE	SIGNATURE	KJG QUALITY®	Scan code for 3D model
MATERIAL BRAND			W.C.	WEIGHT kg	SCALE
SIZE, SEMI-FINISHED PRODUCTS				STN STANDARD	SORTING NUMBER
AUXILIARY EQUIPMENT				NOTE	POSITION NUMBER
ELABORATED BY Ing. Kluska M.					
TESTED BY					
TECHNOLOGIST		TECHNOLOGIST		OLD DRAWING	DRAWING NUMBER
NAME Gutter hook with a nose				Number of sheets	IT-HPN Sheet

Created: 04.06.2026 11:19:37

Technical changes reserved

Dimensions [mm]					
Nominal size	A	B x H	ØD	ØD 1	L 1
250/430	50	25 x 5	105	7	310
280/480	61	25 x 5	127	7	345
333/550	74	25 x 5	153	7	385