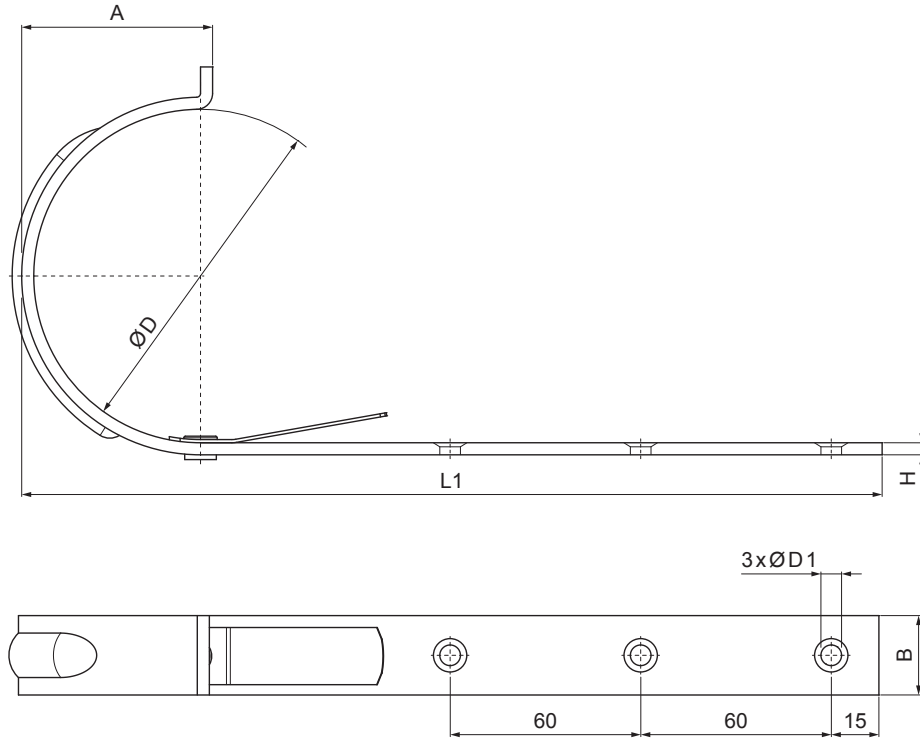


TECHNICAL SHEET




# GUTTER HOOK WITH A NOSE

# IT-HPN



**BH** Galvanized steel pre-painted – White aluminum – RAL 9006

Dimensions [mm]					
Nominal size	A	BxH	ØD	ØD1	L1
280/480	61	25x5	127	7	345
333/550	74	25x5	153	7	385

INDEX	CHANGE	DATE	SIGNATURE		
MATERIAL BRAND			W.C.	WEIGHT kg	SCALE
SIZE, SEMI-FINISHED PRODUCTS				STN STANDARD	SORTING NUMBER
AUXILIARY EQUIPMENT				NOTE	POSITION NUMBER
ELABORATED BY Ing. Kluska M.				OLD DRAWING	DRAWING NUMBER
TESTED BY					
TECHNOLOGIST		TECHNOLOGIST		Number of sheets	IT-HPN Sheet 
NAME			Gutter hook with a nose		

Created: 30.05.2026 20:01:17

Technical changes reserved