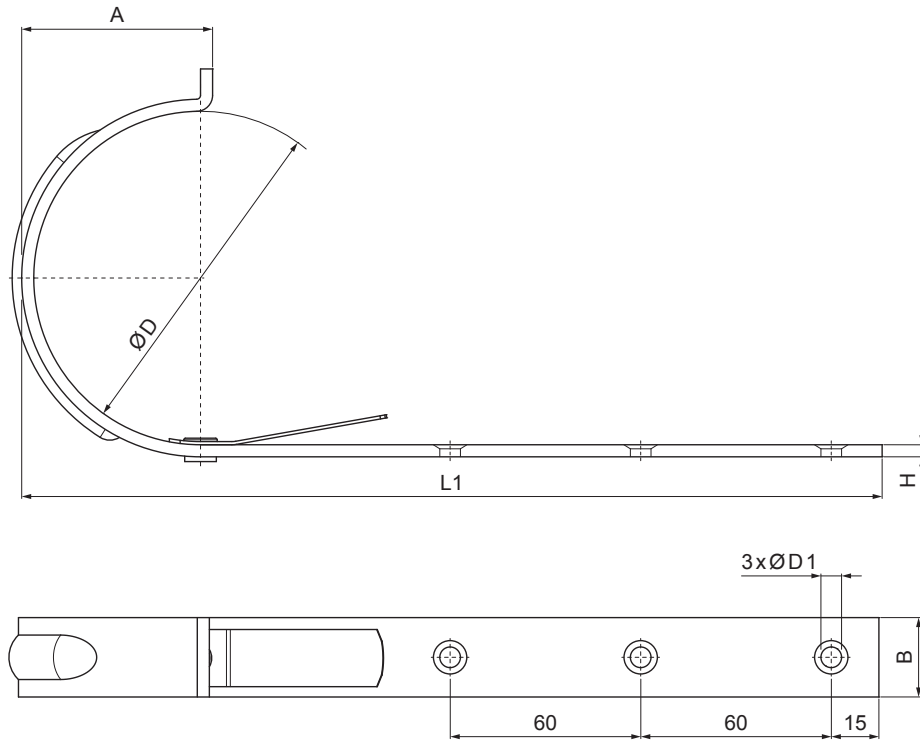



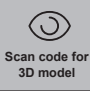


TECHNICAL SHEET

GUTTER HOOK WITH A NOSE

IT-HPN



PS Galvanized steel prepainted – Dusty grey – RAL 7037

INDEX	CHANGE	DATE	SIGNATURE			
MATERIAL BRAND			W.C.	WEIGHT kg	SCALE	
SIZE, SEMI-FINISHED PRODUCTS						
AUXILIARY EQUIPMENT				STN STANDARD	SORTING NUMBER	
ELABORATED BY Ing. Kluska M.				NOTE	POSITION NUMBER	
TESTED BY						
TECHNOLOGIST		TECHNOLOGIST		OLD DRAWING	DRAWING NUMBER	
NAME			Gutter hook with a nose		Number of sheets	IT-HPN Sheet 

Created: 04.06.2026 12:59:48

Technical changes reserved

Dimensions [mm]					
Nominal size	A	BxH	ØD	ØD1	L1
333/550	74	25x5	153	7	385