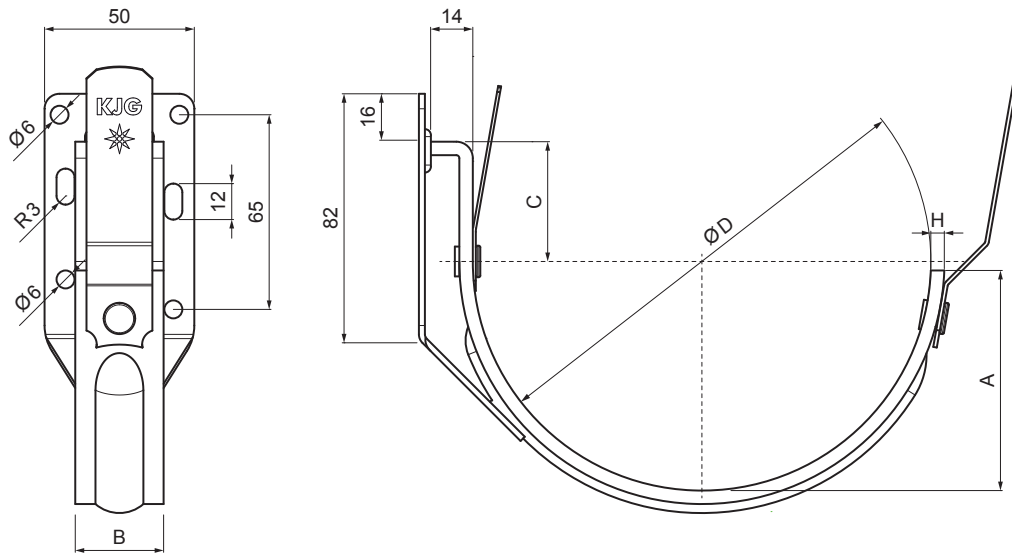


TECHNICAL SHEET

HOOK FASCIA

P-PHPK



AN Galvanized steel pre-painted – Anthracite – RAL 7016

Dimensions [mm]				
Nominal size	A	B x H	C	Ø D
200	37	25 x 4	35	80
250	50	25 x 4	35	105
280	61	25 x 4	35	127
333	74	25 x 5	40	153
400	74	30 x 5	40	192

INDEX	CHANGE	DATE	SIGNATURE	KJG QUALITY®	Scan code for 3D model
MATERIAL BRAND			W.C.	WEIGHT kg	SCALE
SIZE, SEMI-FINISHED PRODUCTS				STN STANDARD	SORTING NUMBER
AUXILIARY EQUIPMENT				NOTE	POSITION NUMBER
ELABORATED BY Ing. Kluska M.					
TESTED BY					
TECHNOLOGIST		TECHNOLOGIST		OLD DRAWING	DRAWING NUMBER
NAME			P-PHPK		
Hook fascia			Number of sheets		Sheet

Created: 21.04.2026 09:47:43

Technical changes reserved