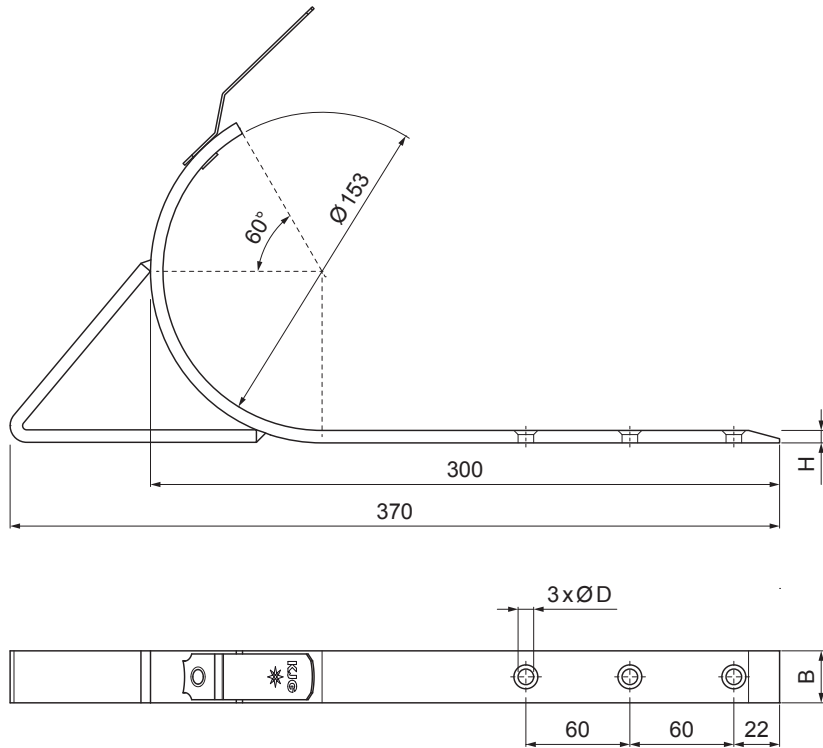


TECHNICAL SHEET

# ON-ROOF GUTTER HOOK WITH SUPPORT

# P-PHSSN



**AN** Galvanized steel pre-painted – Anthracite – RAL 7016

INDEX	CHANGE	DATE	SIGNATURE	<b>KJG</b> QUALITY®	Scan code for 3D model
MATERIAL BRAND			W.C.	WEIGHT kg	SCALE
SIZE, SEMI-FINISHED PRODUCTS					
AUXILIARY EQUIPMENT				STN STANDARD	SORTING NUMBER
ELABORATED BY Ing. Kluska M.				NOTE	POSITION NUMBER
TESTED BY					
TECHNOLOGIST		TECHNOLOGIST		OLD DRAWING	DRAWING NUMBER
NAME			P-PHSSN		
On-roof gutter hook with support			Number of sheets		Sheet

Created: 25.05.2026 05:52:01

Technical changes reserved

Dimensions [mm]		
Nominal size	B x H	Ø D
4	20 x 6	8