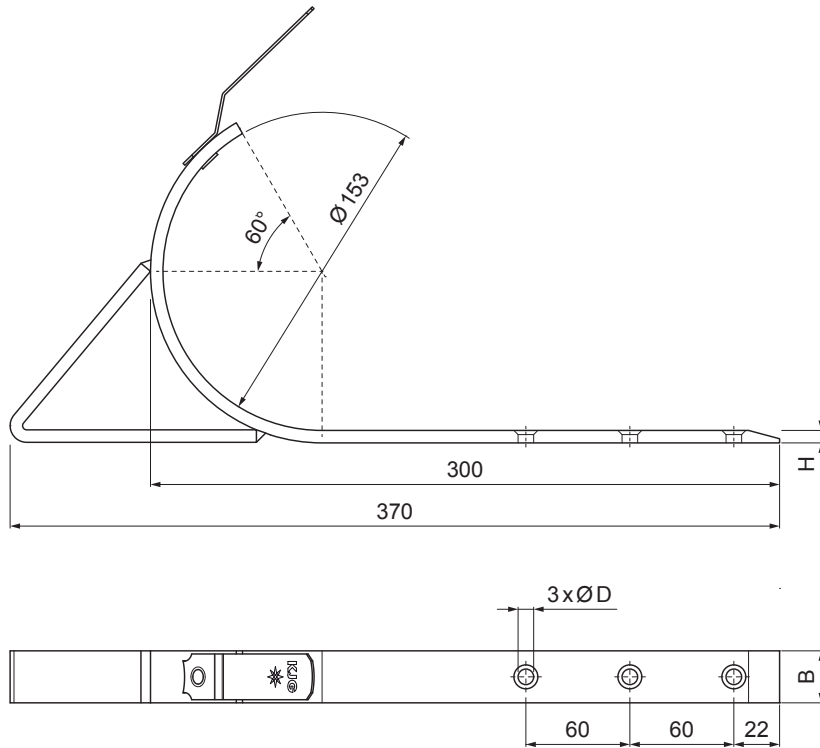


TECHNICAL SHEET

ON-ROOF GUTTER HOOK WITH SUPPORT

P-PHSSN



OC Galvanized steel pre-painted – Steel red – RAL 3009

| | | | | | |
|------------------------------|--------|------|----------------------------------|------------------------|------------------------|
| INDEX | CHANGE | DATE | SIGNATURE | KJG QUALITY® | Scan code for 3D model |
| | | | | | |
| MATERIAL BRAND | | | W.C. | WEIGHT kg | SCALE |
| SIZE, SEMI-FINISHED PRODUCTS | | | | STN STANDARD | SORTING NUMBER |
| AUXILIARY EQUIPMENT | | | | NOTE | POSITION NUMBER |
| ELABORATED BY Ing. Kluska M. | | | | OLD DRAWING | DRAWING NUMBER |
| TESTED BY | | | TECHNOLOGIST | | |
| NAME | | | On-roof gutter hook with support | | Number of sheets |
| | | | | | P-PHSSN Sheet |

Created: 06.06.2026 00:29:26

Technical changes reserved

| Dimensions [mm] | | |
|-----------------|--------|-----|
| Nominal size | B x H | Ø D |
| 4 | 20 x 6 | 8 |