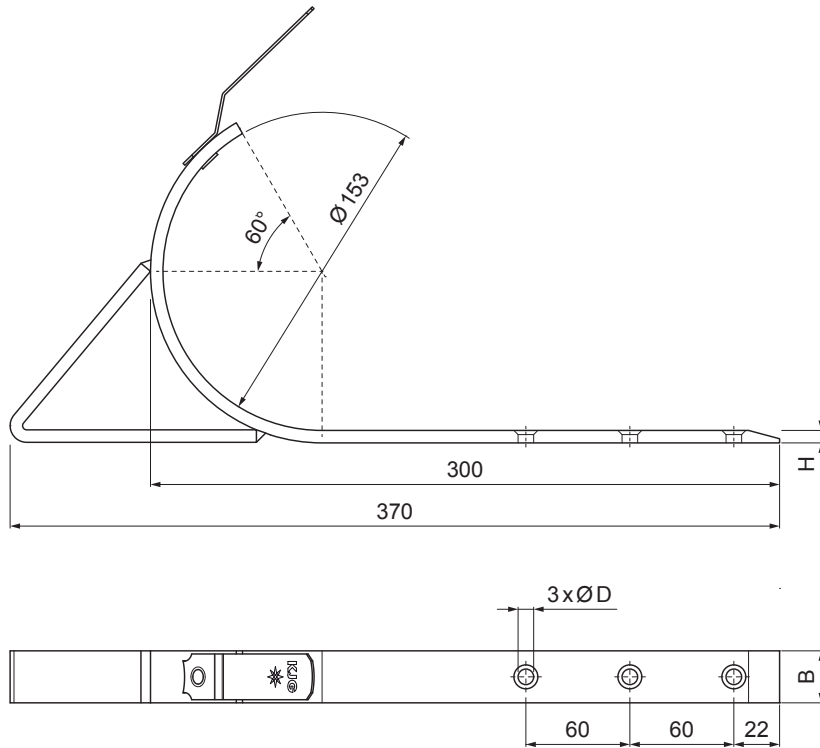



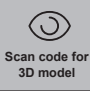


TECHNICAL SHEET

# ON-ROOF GUTTER HOOK WITH SUPPORT

# P-PHSSN



**BHT** Galvanized steel prepainted – Grey aluminum P.20 – RAL 9007

INDEX	CHANGE	DATE	SIGNATURE			
MATERIAL BRAND			W.C.	WEIGHT kg	SCALE	
SIZE, SEMI-FINISHED PRODUCTS						
AUXILIARY EQUIPMENT				STN STANDARD	SORTING NUMBER	
ELABORATED BY Ing. Kluska M.				NOTE	POSITION NUMBER	
TESTED BY						
TECHNOLOGIST		TECHNOLOGIST		OLD DRAWING	DRAWING NUMBER	
NAME			On-roof gutter hook with support		Number of sheets	P-PHSSN Sheet 

Created: 04.06.2026 23:56:17

Technical changes reserved

Dimensions [mm]		
Nominal size	B x H	Ø D
4	20 x 6	8