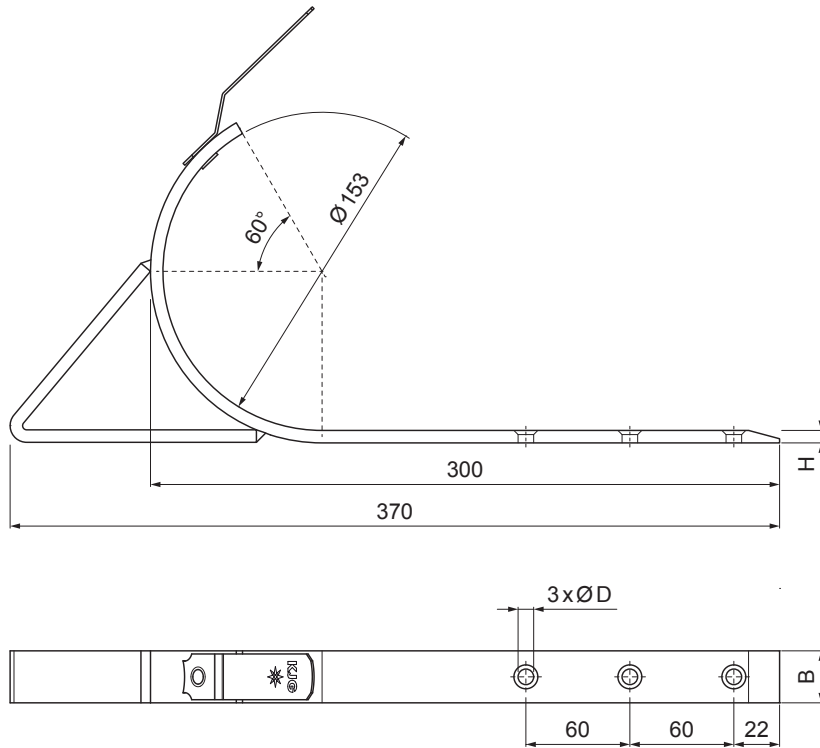


TECHNICAL SHEET

ON-ROOF GUTTER HOOK WITH SUPPORT

P-PHSSN



MZ Galvanized steel pre-painted – Moss green – RAL 6005

INDEX	CHANGE	DATE	SIGNATURE	KJG QUALITY®	Scan code for 3D model	
MATERIAL BRAND			W.C.	WEIGHT kg	SCALE	
SIZE, SEMI-FINISHED PRODUCTS						
AUXILIARY EQUIPMENT				STN STANDARD	SORTING NUMBER	
ELABORATED BY Ing. Kluska M.				NOTE	POSITION NUMBER	
TESTED BY						
TECHNOLOGIST		TECHNOLOGIST		OLD DRAWING	DRAWING NUMBER	
NAME			On-roof gutter hook with support		Number of sheets	P-PHSSN Sheet

Created: 06.06.2026 20:53:12

Technical changes reserved

Dimensions [mm]		
Nominal size	B x H	Ø D
4	20 x 6	8