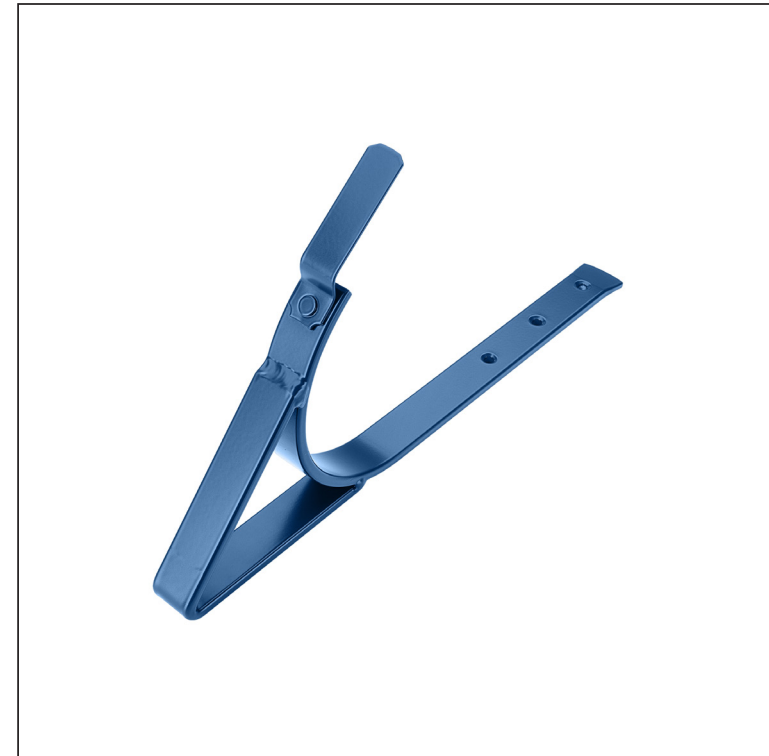
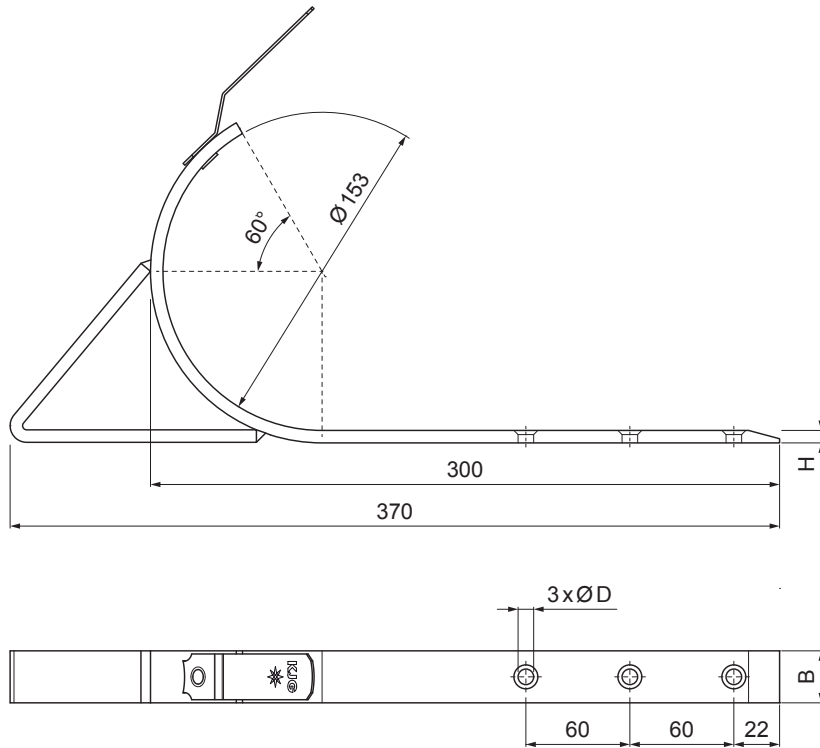


TECHNICAL SHEET

# ON-ROOF GUTTER HOOK WITH SUPPORT

# P-PHSSN



**MOT** Galvanized steel pre-painted – Gentian blue – RAL 5010

|                                  |        |              |                  |                        |                        |
|----------------------------------|--------|--------------|------------------|------------------------|------------------------|
| INDEX                            | CHANGE | DATE         | SIGNATURE        | <b>KJG</b><br>QUALITY® | Scan code for 3D model |
|                                  |        |              |                  |                        |                        |
| MATERIAL BRAND                   |        |              | W.C.             | WEIGHT kg              | SCALE                  |
| SIZE, SEMI-FINISHED PRODUCTS     |        |              |                  |                        |                        |
| AUXILIARY EQUIPMENT              |        |              |                  | STN STANDARD           | SORTING NUMBER         |
| ELABORATED BY Ing. Kluska M.     |        |              |                  | NOTE                   | POSITION NUMBER        |
| TESTED BY                        |        |              |                  |                        |                        |
| TECHNOLOGIST                     |        | TECHNOLOGIST |                  | OLD DRAWING            | DRAWING NUMBER         |
| NAME                             |        |              | P-PHSSN          |                        |                        |
| On-roof gutter hook with support |        |              | Number of sheets |                        | Sheet                  |

Created: 04.06.2026 10:29:11

Technical changes reserved

| Dimensions [mm] |        |     |
|-----------------|--------|-----|
| Nominal size    | B x H  | Ø D |
| 4               | 20 x 6 | 8   |