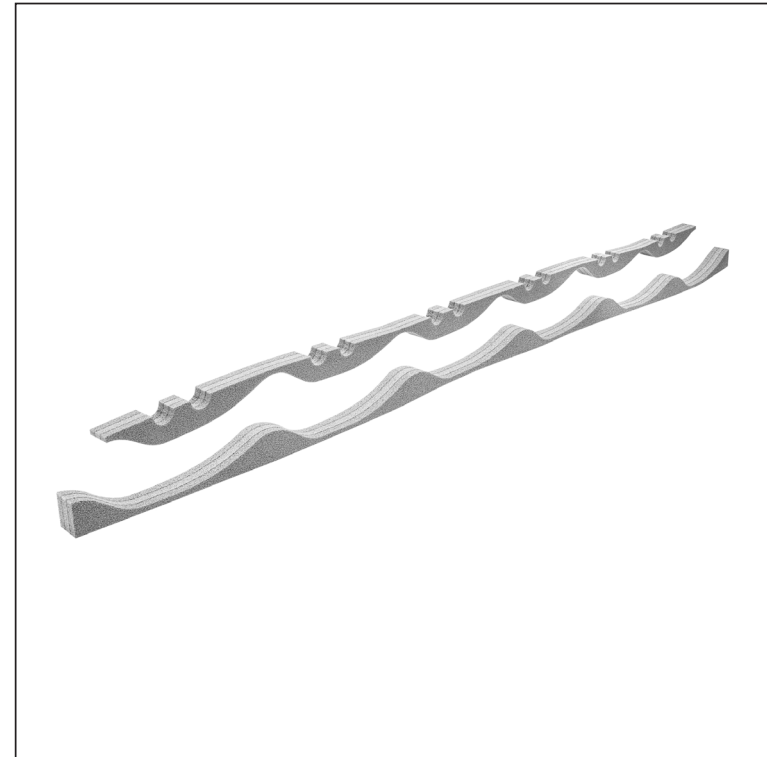
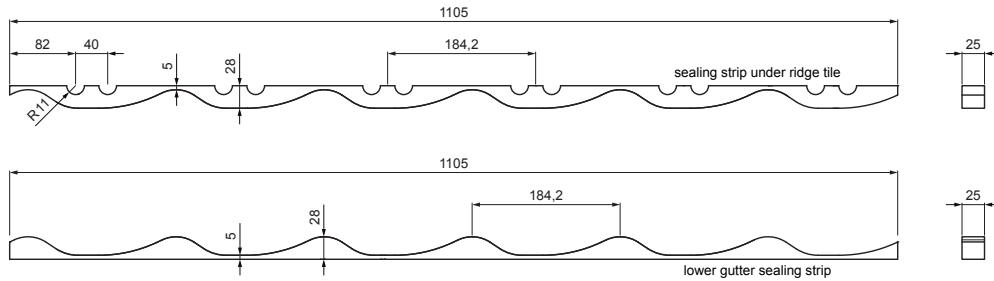


TECHNICAL SHEET

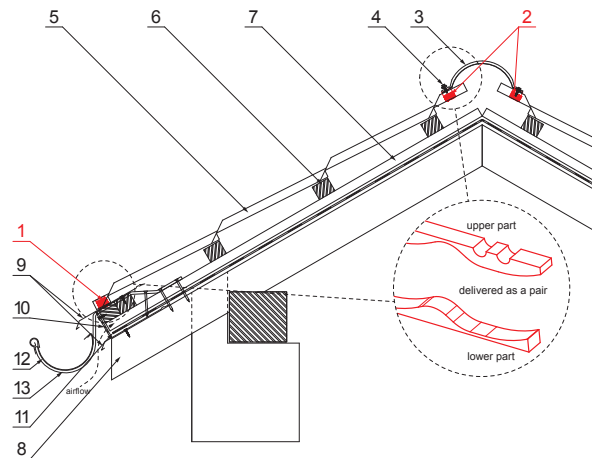
INFILL STRIP GRAY FOR METAL ROOFING UNI 1 TILES

UNI1-UTP



DETAIL:

- 1. gutter sealing strip
- 2. sealing strip under ridge tile
- 3. ridge cap
- 4. farmer screw 4,8x20
- 5. metal roofing
- 6. roof battens
- 7. battens
- 8. rafter
- 9. drip edge
- 10. protective ventilation belt
- 11. foil
- 12. gutter half-round
- 13. hook



PS Polyethylene – Dusty grey – RAL 7037

INDEX	CHANGE	DATE	SIGNATURE	KJG QUALITY®	Scan code for 3D model	
MATERIAL BRAND			W.C.	WEIGHT kg	SCALE	
SIZE, SEMI-FINISHED PRODUCTS				STN STANDARD	SORTING NUMBER	
AUXILIARY EQUIPMENT				NOTE	POSITION NUMBER	
ELABORATED BY Ing. Kluska M.						
TESTED BY						
TECHNOLOGIST		TECHNOLOGIST		OLD DRAWING	DRAWING NUMBER	
NAME Infill strip gray for metal roofing UNI 1 tiles				Number of sheets	UNI1-UTP	Sheet

Created: 06.06.2026 13:10:24

Technical changes reserved